

**Door handles for
DIN lockcases**
Roses, fixture and bearings
Rose 002:

The handles are fixed by a retaining screw to the spindle. The handles have a plastic under-plate bearing. Fixing screws: M5 X-head screws, which remain concealed under the brass or steel cover plate when fixed.

Rose 004:

Door handles are fixed to the rose with a locking ring, and have a plastic bearing. Fixing screws: M4 X-head screws. The rose is made of steel or brass.

Rose 010:

Door handles are fixed to the rose with a locking ring, and have a plastic bearing. They are also fixed with a retaining screw to the spindle for added support. Fixing screws: M4 X-head screws. The rose is made of brass.

Rose 011:

Door handles are fixed to the spindle with a retaining screw. The handles have a plastic under-plate bearing. Fixing screws: 4 mm wood screws. The rose is made of steel, underneath is a plastic under-plate with a return spring.

Roses 012 013:

Door handles are fixed to the rose with a locking ring, and have a plastic bearing. They are also fixed with a retaining screw to the spindle for added support. Fixing screws: M8 hexagonal screws. The roses are made of stainless steel.

Screws, spindles and packaging

The door handle spindles are 8x8 mm and made of galvanized steel.

The M4 and M5 screws are of galvanized or yellow zinc steel. With painted products the screw heads are typically painted the same colour as the handle. The M8 screws are of stainless steel.

The standard delivery is for the door thickness specified in the product description. If the door thickness differs from the specified thickness, this should be stated when ordering.

Door handles are normally delivered in D.I.Y. packages that include a pair of door handles, spindle and through-fixing screws.

Escutcheons

The number of the escutcheon is the same as that of the rose, for example LH002 BB.

Testing

The door handles are tested according to the following standards: SFS-EN 1670 Corrosion resistance, SFS-EN 1906 Lever handles and knob furniture, SFS-EN 179 Emergency exit devices operated by a lever handle or push pad.

Handles for emergency exits (EN 179)

The European EN 1125 and EN 179 standards apply to the locking and door fitting systems for panic and emergency exits. The standards require that the products enable fast and safe exit in all situations. The requirements of the standards always apply to the entire door environment. Products that will be used in the door environment must always be tested in their entirety and be inspected at regular intervals in accordance with the manufacturer's instructions. Abloy exit door handles are tested and approved in conjunction with Abloy exit lock cases.

Recommendations for use

Recommendations for use can be found in the information for each handle. The recommendations for use should be followed to ensure that the handle works in the desired manner. We do not recommend, for example, that handles made of zinc be used externally.

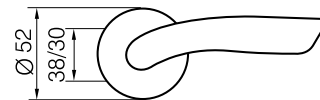
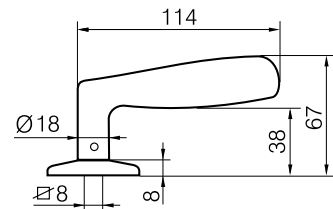
HALTI

Material: zinc.

Surface finishes: chromed, satin nickel, antique brass.

Used in interior doors.

Standard door thickness 40-60mm. Handle is fixed to a special spindle with a retaining screw.



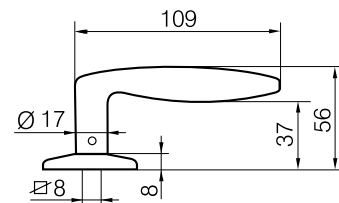
OSMA

Material: zinc.

Surface finishes: chromed, satin nickel, antique brass.

Used in interior doors.

Standard door thickness 40-60mm. Handle is fixed to a special spindle with a retaining screw.



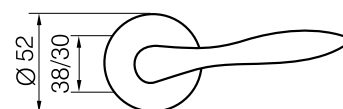
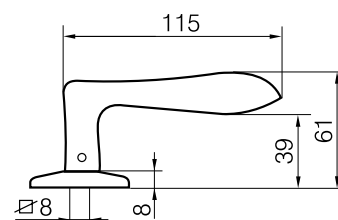
ROVALA

Material: zinc.

Surface finishes: chromed, satin nickel, antique brass.

Used in interior doors.

Standard door thickness 40-60mm. Handle is fixed to a special spindle with a retaining screw.



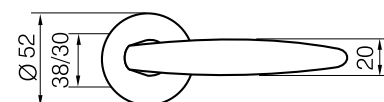
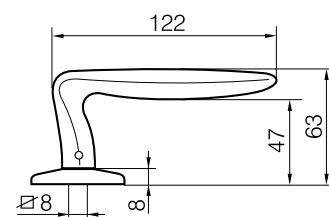
TEPSA

Material: zinc.

Surface finishes: chromed, satin nickel, antique brass.

Used in interior doors.

Standard door thickness 40-60mm. Handle is fixed to a special spindle with a retaining screw.

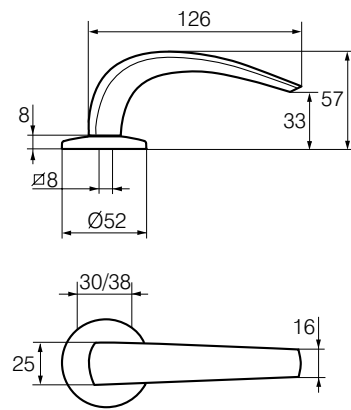


CLASSICO 9/002

Material: brass.

Surface finishes: chromed, satin chromed, polished.

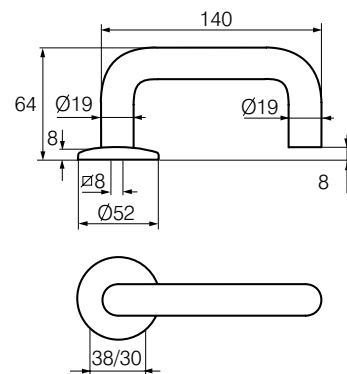
For use in interior and exterior doors also public premises. Standard delivery is for 40-60 mm thick door. Handle is fixed to a special spindle with a retaining screw.



INOXI 3-19/002

Material: stainless steel.

For use with interior and exterior doors, also in public premises. Standard delivery is for 40-60 mm thick door. Handle is fixed to a special spindle with a retaining screw.

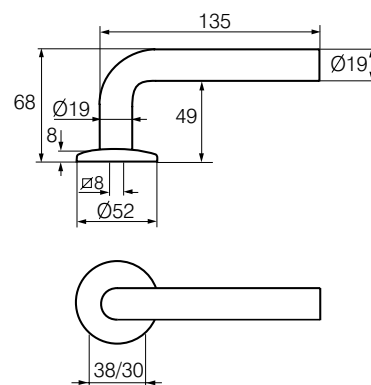


INOXI 3-19s/002

Material: stainless steel.

For use with interior and exterior doors, also in public premises.

Standard delivery is for 40-60 mm thick door. Handle is fixed to a special spindle with a retaining screw.

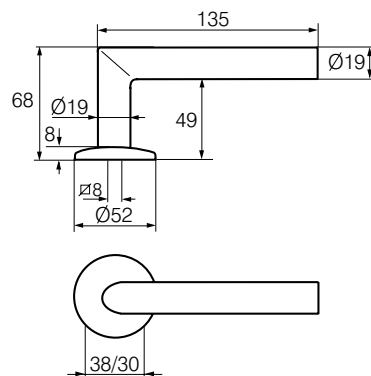


INOXI 3-19ss/002

Material: stainless steel.

For use with interior and exterior doors, also in public premises.

Standard delivery is for 40-60 mm thick door. Handle is fixed to a special spindle with a retaining screw.

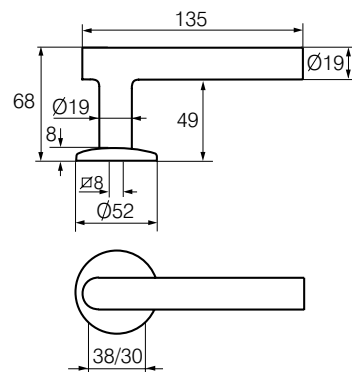


INOXI 3-19st/002

Material: stainless steel.

For use with interior and exterior doors, also in public premises.

Standard delivery is for 40-60 mm thick door. Handle is fixed to a special spindle with a retaining screw.

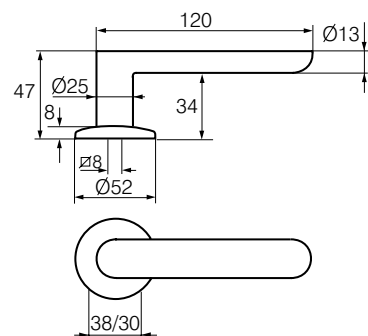


INOXI 21/002

Material: stainless steel.

For use with interior and exterior doors, also in public premises.

Standard delivery is for 40-60 mm thick door. Handle is fixed to a special spindle with a retaining screw.

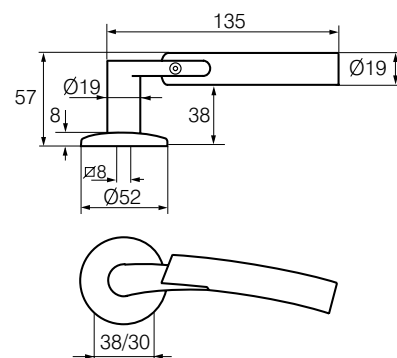


INOXI 23/002

Material: stainless steel.

For use with interior and exterior doors, also in public premises.

Standard delivery is for 40-60 mm thick door. Handle is fixed to a special spindle with a retaining screw.

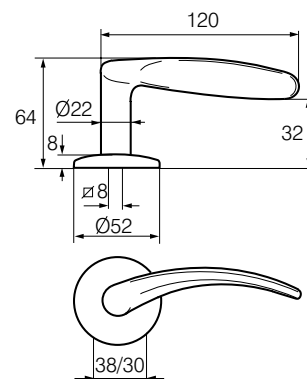


INOXI 24/002

Material: stainless steel.

For use with interior and exterior doors, also in public premises.

Standard delivery is for 40-60 mm thick door. Handle is fixed to a special spindle with a retaining screw.

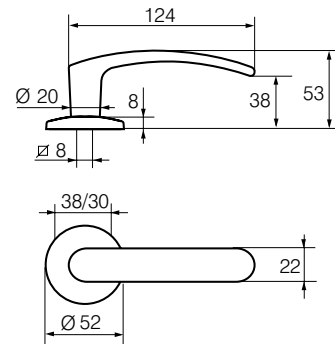


POLAR 6/002

Material: brass.

Surface finishes: polished, chromed, satin chromed, satin brass.

Used both in interior and exterior doors, also in public premises. Handle is fixed to a special spindle with a retaining screw. Standard delivery for 40-60 mm doors.



FORUM 4/004

Material: zinc.

Surface finishes: chromed, satin chromed, white, golden-lacquered.

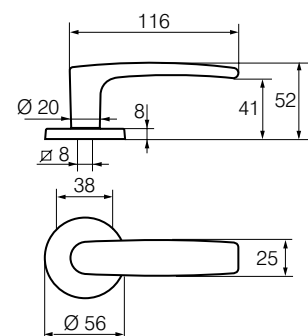
Material: brass.

Surface finishes: chromed, satin chromed, satin brass.

Used in interior doors.

Door thicknesses:

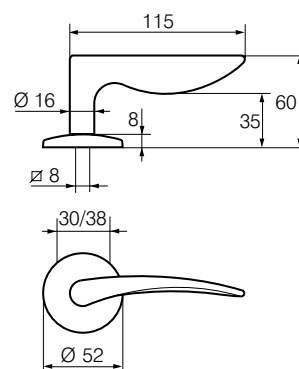
Standard door thickness 35-40 mm.



POHJOLA 27/002

Material: brass.
Surface finishes: polished, chromed, satin chromed.

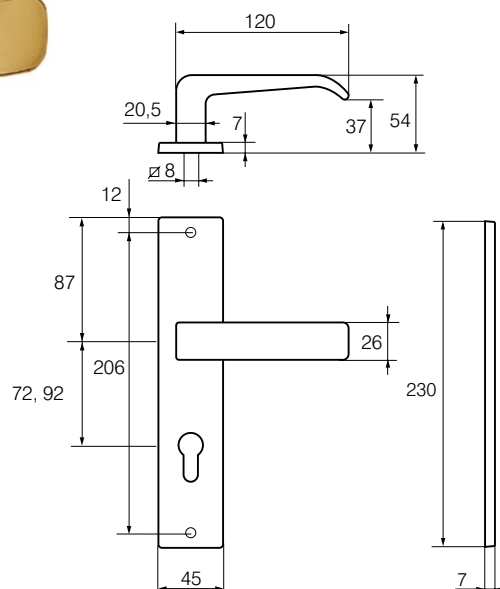
Used in both interior and exterior doors, including those of public buildings. Handle is fixed to a special spindle with a retaining screw. Standard delivery for 40-60 mm thick doors.



CONSUL 110/010

Material: brass.
Surface finishes: polished, satin chromed, satin brass.

For use with interior and front doors, including public premises. Handle is fixed to a special spindle with a retaining screw.



AKATEMIA 133/002

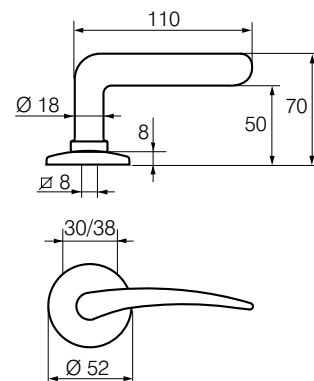
Material: brass.

Surface finishes: polished, chromed, satin chromed.

For use with interior and front doors, including public premises.

Handle is fixed to a special spindle with a retaining screw.

Standard delivery for 40-60 mm thick doors.

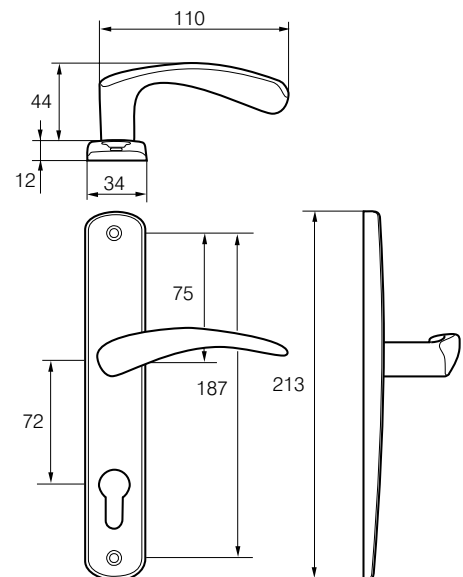


18/011 (PZ, BB, A, WC)

Material: steel/zinc.

Surface finishes: chromed, satin chromed, golden-lacquered.

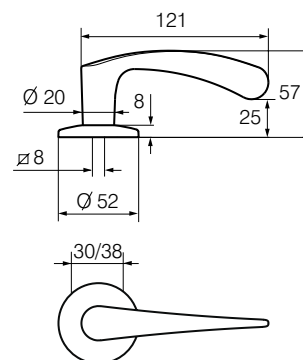
Includes a return spring and is used in interior doors. Standard delivery for 35-54 mm thick doors.



INTERIA 19/002

Material: brass.
Surface finishes: polished, chromed, satin chromed.

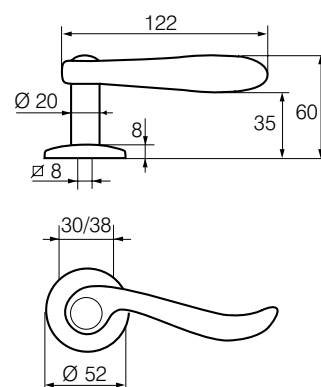
For use in both interior doors and entrance doors, also public buildings. The handle is fixed to the spindle with retaining screws. Standard delivery for 40-60 mm doors.



6638/002

Material: brass.
Surface finishes: chromed, satin brass.

For use with exterior doors, standard delivery is for 60-80 mm thick door.



Escutcheon LH004 (PZ, BB)

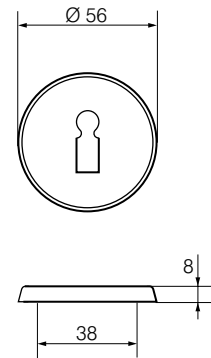
Material: steel.

Surface finishes: chromed, white, satin chromed, golden-lacquered.

PZ also:

Material: brass.

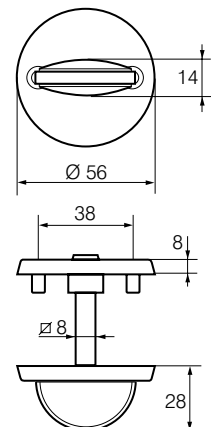
Surface finishes: polished, chromed, satin chromed, satin brass, white.



Turning knob LH004 WC

Material: steel.

Surface finishes: chromed, satin chromed, white, golden-lacquered.



Escutcheon LH002 PZ

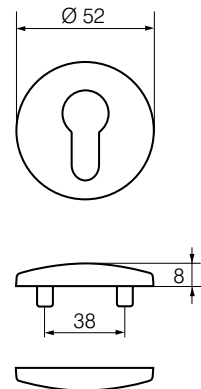
Material: brass.

Surface finishes: polished, chromed, satin chromed, satin brass.

Material: stainless steel.

Material: steel.

Surface finishes: chromed, satin nickel, antique brass.



Cover-plate LH002 P

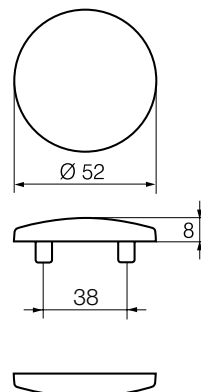
Material: brass.

Surface finishes: polished, chromed, satin chromed, satin brass.

Material: stainless steel.

Material: steel.

Surface finishes: chromed, satin nickel, antique brass.



Used with interior door lock ABLOY® 4195 or equivalent.

Turning knob LH002 WC

Material: brass.

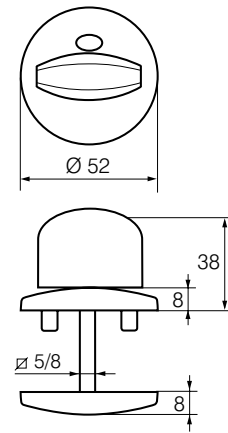
Surface finishes: polished, chromed, satin chromed, satin brass.

Material: stainless steel.

Material: steel.

Surface finishes: chromed, satin nickel, antique brass.

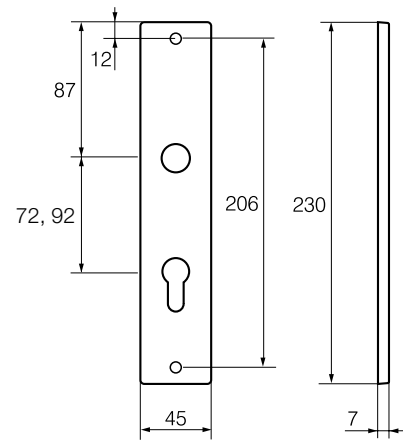
Suitable for locks with a 90° - turn. Standard delivery is for 38-60 mm thick door. Unlocking from the outside is possible. Used for the locking of bathroom and toilet doors in residential and public premises.



**Longplate LH010
(TBL, BL, PZ)**

Material: brass.

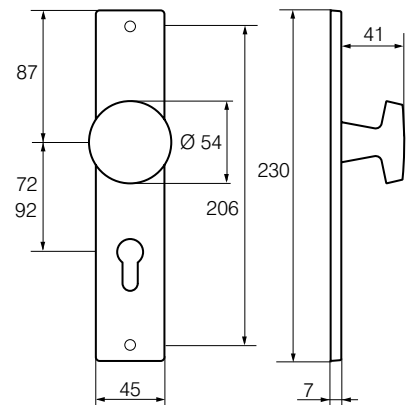
Surface finishes: polished, satin chromed, satin brass, white.



**Longplate/knob LH115/010
(PZ, BL)**

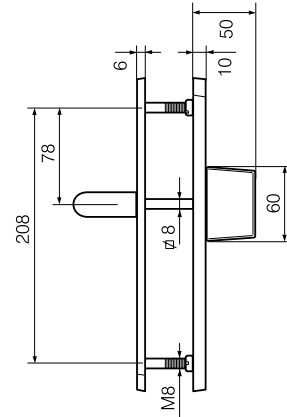
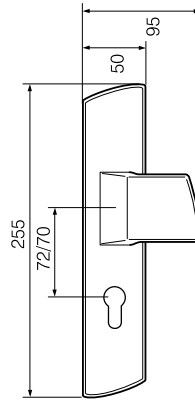
Material: brass.

Surface finishes: polished, satin chromed, satin brass.



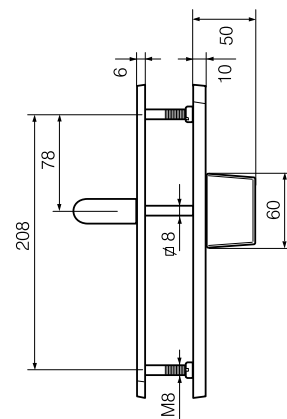
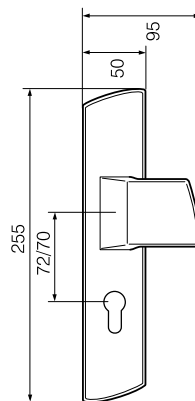
**INOXI 3-19/012/120
PZ+BL**

Material: stainless steel.



**INOXI 3-19/012/120
PZ+PZ**

Material: stainless steel.

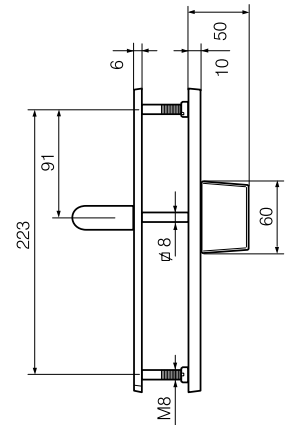
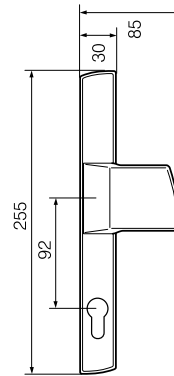


This selection includes solutions for both solid and profile doors. On the broader plate suitable for solid doors, the distance between the holes is 72 mm, and on the narrower plate designed for profile doors, it is 92 mm. Door thicknesses: 38-42mm, 43-47mm, 48-52mm, 53-57mm, 58-62mm. Both a normal and a split spindle can be used with the fittings. The fittings can be equipped with a pair of handles or a combination of a handle and a pull/push handle.

They are made of stainless steel, and the design of the plates follows modern trends. Five different handle types are available, see page B20. The fittings have been tested according to EN standards, and with handle 3-19, they are approved for use according to standard EN179 with ABLOY® EL520, EL420, EL560 and EL460. They have also been tested and approved for use on fire doors according to standard EN1634-1.

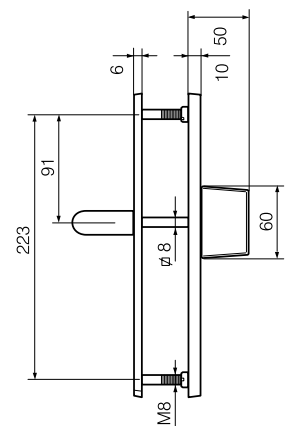
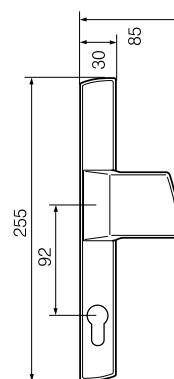
**INOXI 3-19/013/120
PZ+BL**

Material: stainless steel.



**INOXI 3-19/013/120
PZ+PZ**

Material: stainless steel.

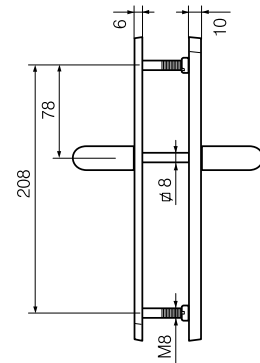
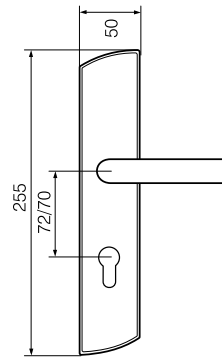


This selection includes solutions for both solid and profile doors. On the broader plate suitable for solid doors, the distance between the holes is 72 mm, and on the narrower plate designed for profile doors, it is 92 mm. Door thicknesses: 38-42mm, 43-47mm, 48-52mm, 53-57mm, 58-62mm. Both a normal and a split spindle can be used with the fittings. The fittings can be equipped with a pair of handles or a combination of a handle and a pull/push handle.

They are made of stainless steel, and the design of the plates follows modern trends. Five different handle types are available, see page B20. The fittings have been tested according to EN standards, and with handle 3-19, they are approved for use according to standard EN179 with ABLOY® EL520, EL420, EL560 and EL460. They have also been tested and approved for use on fire doors according to standard EN1634-1.

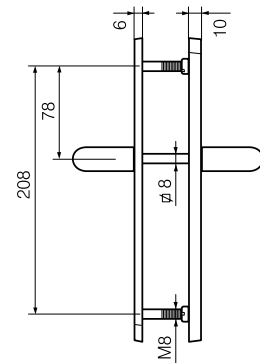
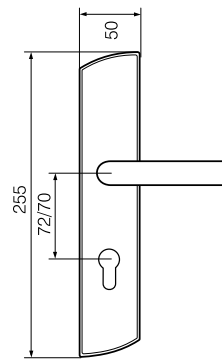
**INOXI 3-19/012
PZ+BL**

Material: stainless steel.



**INOXI 3-19/012
PZ+PZ**

Material: stainless steel.

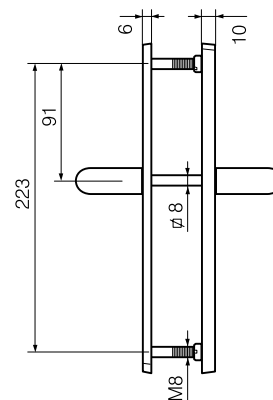
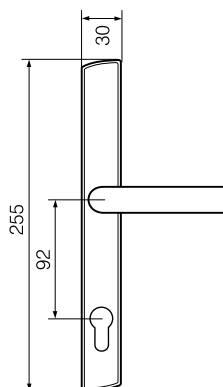


This selection includes solutions for both solid and profile doors. On the broader plate suitable for solid doors, the distance between the holes is 72 mm, and on the narrower plate designed for profile doors, it is 92 mm. Door thicknesses: 38-42mm, 43-47mm, 48-52mm, 53-57mm, 58-62mm. Both a normal and a split spindle can be used with the fittings. The fittings can be equipped with a pair of handles or a combination of a handle and a pull/push handle.

They are made of stainless steel, and the design of the plates follows modern trends. Five different handle types are available, see page B20. The fittings have been tested according to EN standards, and with handle 3-19, they are approved for use according to standard EN179 with ABLOY® EL520, EL420, EL560 and EL460. They have also been tested and approved for use on fire doors according to standard EN1634-1.

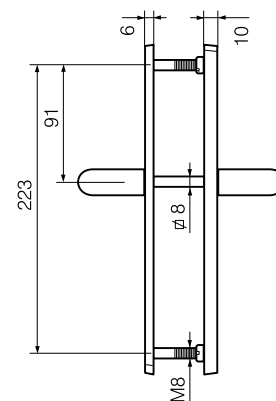
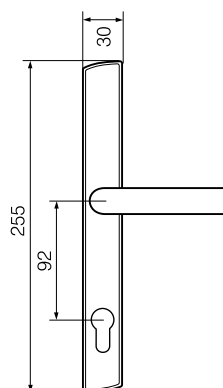
**INOXI 3-19/013
PZ+BL**

Material: stainless steel.




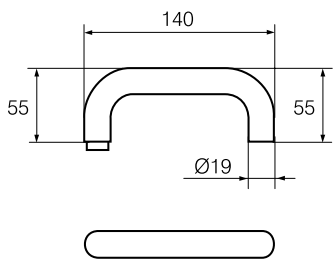


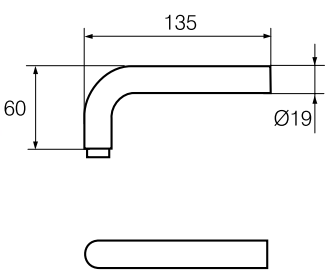
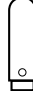

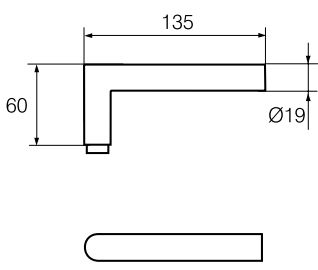


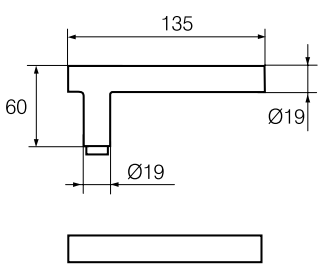
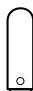

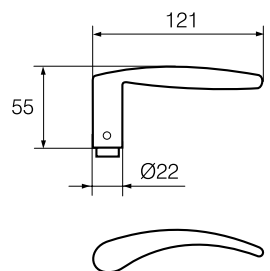

**INOXI 3-19/013
PZ+PZ**

Material: stainless steel.



This selection includes solutions for both solid and profile doors. On the broader plate suitable for solid doors, the distance between the holes is 72 mm, and on the narrower plate designed for profile doors, it is 92 mm. Door thicknesses: 38-42mm, 43-47mm, 48-52mm, 53-57mm, 58-62mm. Both a normal and a split spindle can be used with the fittings. The fittings can be equipped with a pair of handles or a combination of a handle and a pull/push handle.

They are made of stainless steel, and the design of the plates follows modern trends. Five different handle types are available, see page B20. The fittings have been tested according to EN standards, and with handle 3-19, they are approved for use according to standard EN179 with ABLOY® EL520, EL420, EL560 and EL460. They have also been tested and approved for use on fire doors according to standard EN1634-1.

<p>INOXI 3-19/013 Material: stainless steel.</p>			
<p>INOXI 3-19s Material: stainless steel.</p>			
<p>INOXI 3-19ss Material: stainless steel.</p>			
<p>INOXI 3-19st Material: stainless steel.</p>			
<p>INOXI 24 Material: stainless steel.</p> <p>Note that this is a handed handle.</p>			

This selection includes solutions for both solid and profile doors. On the broader plate suitable for solid doors, the distance between the holes is 72 mm, and on the narrower plate designed for profile doors, it is 92 mm. Door thicknesses: 38-42mm, 43-47mm, 48-52mm, 53-57mm, 58-62mm. Both a normal and a split spindle can be used with the fittings. The fittings can be equipped with a pair of handles or a combination of a handle and a pull/push handle.

They are made of stainless steel, and the design of the plates follows modern trends. Five different handle types are available, see page B20. The fittings have been tested according to EN standards, and with handle 3-19, they are approved for use according to standard EN179 with ABLOY® EL520, EL420, EL560 and EL460. They have also been tested and approved for use on fire doors according to standard EN1634-1.