

Door handles for Scandinavian lock cases

Fitting and bearings

Normal fitting:

Door handles with roses 007, 008 and 001 are fixed to the rose with a locking ring, and have a plastic bearing. Fixing screws: M4 X-head screws.

Normal fitting +

retaining screw fitting:

Door handles with roses 032, 030, 0650 and 0630 are fixed to the rose with a locking ring, and have a plastic bearing. They are also fixed with a retaining screw to the spindle for added support. Fixing screws: M4 X-head screws for 032 rose, M5 X-head screws for 030, 0650 and 0630 roses.

002 Retaining screw fitting:

Door handles with rose 002 are fixed to the spindle with a retaining screw. The handles have a plastic under-plate bearing. Fixing screws: M5 X-head screws concealed under the cover plate.

Espagnolette handles:

Longplate door handles are attached to the rose with a locking ring. Fixing screws: single door handles have M5 X-head screws, and the LK versions have M4 X-head screws.

Spindles, screws and packaging

The door handle spindles are 8x8 mm and made of galvanized steel. The longplate single door handles have a fixed 8x8 mm or 7x7 mm spindle, and the LK versions have a floating 8x8 mm spindle. The screws and spindle go all the way through the longplate centre.

The screws are M4 or M5 and are of galvanized or yellow zinc steel. With painted products the screw heads are typically painted the same colour as the handle.

The standard delivery is for either a 40 mm door or for the door thickness specified in the product description. If the door thickness differs from the specified thickness, this should be stated when ordering. Spindle/screw bags are available for different door thicknesses.

Door handles are normally delivered in D.I.Y. packages that include a pair of door handles, spindle and through-fixing screws. Some of the product packages also include a return spring or springs. The R + LK renovation handles also have wood screws for fixing to the door surface.

Testing

The door handles are tested according to the following standards: SFS-EN 1670 Corrosion resistance, SFS-EN 1906 Lever handles and knob furniture, SFS-EN 179 Emergency exit devices operated by a lever handle or push pad, and SFS-EN 13126-3 Window and longplate handles.

Handles for emergency exits (EN 179)

The European EN 1125 and EN 179 standards apply to the locking and door fitting systems for panic and emergency exits. The standards require that the products enable fast and safe exit in

all situations. The requirements of the standards always apply to the entire door environment. Products that will be used in the door environment must always be tested in their entirety and be inspected at regular intervals in accordance with the manufacturer's instructions. ABLOY® exit door handles are tested and approved in conjunction with ABLOY® exit lock cases.

The standard requires the handles to have specific dimension and forms, the end of the handle must be turned towards the door.

The range of exit handles is available as single handles with 030 and 0630 roses, and as pairs of handles with divided spindle with 032 and 0650 roses. Door handle pairs with divided spindle are always delivered with two return springs, and single door handles with one spring.

Just an exterior handle on the outside may be needed as a pair for an exit boom or push plate, or a handle other than one from the exit range is required on the outside. In this case the rose will be from the exit range, but with no restriction on the door handle range.

Fire classification

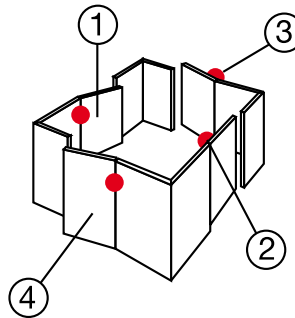
There are no special requirements concerning handles for compartmentation doors, but it is recommended that Ms or RST handles be used

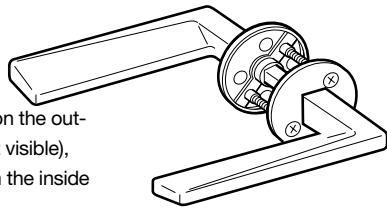
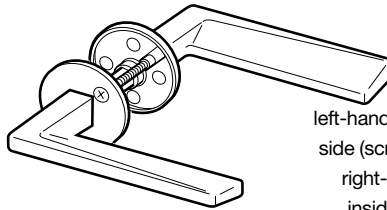
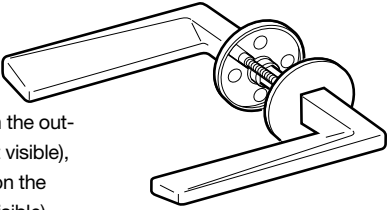
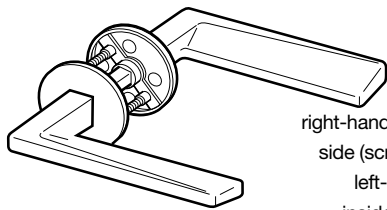
Recommendations for use

Recommendations for use can be found in the information for each handle. The recommendations for use should be followed to ensure that the handle works in the desired manner. We don't recommend, for example, that zinc handles be used externally.

Handedness of door handle pairs:

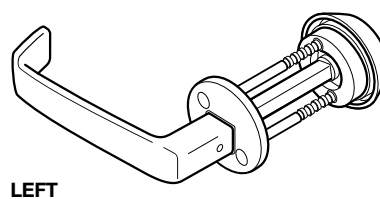
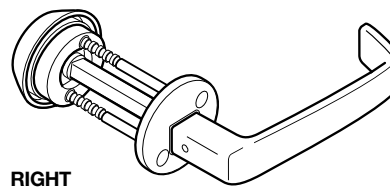
With lockable doors the heads of the fixing screws should always be on the inside. This should be taken into account when ordering if "Note handedness" is mentioned for the range. The door handle on the outside determines the handedness. Use the table to make your choice.



<p>1 RIGHT</p>  <p>right-handed handle on the outside (screw heads not visible), left-handed handle on the inside (screw heads visible)</p>	<p>3 LEFT</p>  <p>left-handed handle on the outside (screw heads not visible), right-handed handle on the inside (screw heads visible)</p>
<p>2 LEFT</p>  <p>left-handed handle on the outside (screw heads not visible), right-handed handle on the inside (screw heads visible)</p>	<p>4 RIGHT</p>  <p>right-handed handle on the outside (screw heads not visible), left-handed handle on the inside (screw heads visible)</p>

Handedness of single door handles:

With single door handles the handle is on the inside only, so this determines the handedness. This should be taken into account when ordering if "Note handedness" is mentioned for the range.





**INOXI 3-19k/032,
3-19k/0650, 3-19k/030,
3-19k/0630**

Material: stainless steel.

Door handle pairs include two return springs and split spindle 57/50. Single door handles include a return spring and a spindle. Tested in accordance with standard EN 179.

3-19k/032 pair of door handles for solid door, door thickness 44-61 mm.

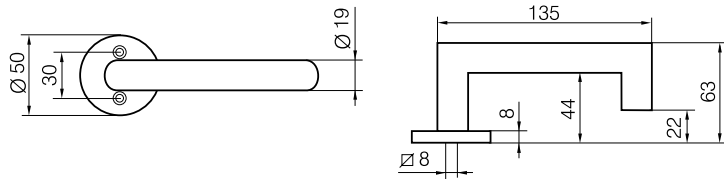
3-19k/0650 pair of door handles for profile door, door thickness 38-54 mm (lock case 20 mm from the surface of the door)/33-55 mm (lock case in middle of door).

3-19k/030 single door handle for solid door, door thickness 50-65 mm.

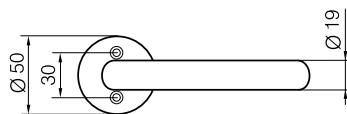
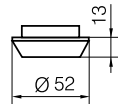
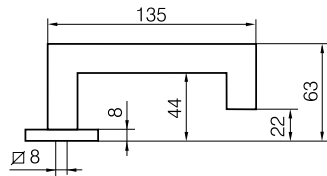
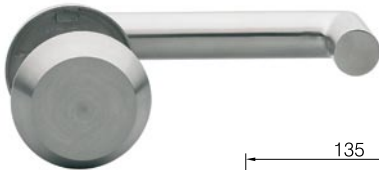
3-19k/0630 single door handle for profile door, door thickness 45-60 mm.



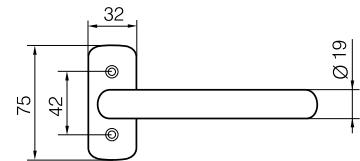
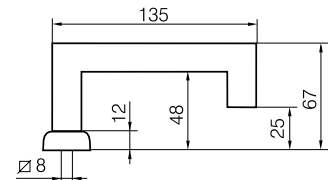
INOXI 3-19k/032



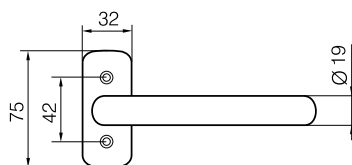
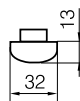
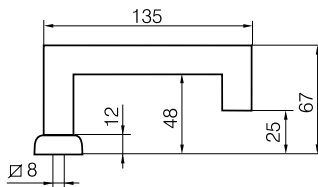
INOXI 3-19k/030



INOXI 3-19k/0650



INOXI 3-19k/0630





**INOXI 3-19/032,
3-19/0650, 3-19/030,
3-19/0630**

Material: stainless steel.

Door handle pairs include two return springs and split spindle 57/50. Single door handles include a return spring and a spindle. Tested in accordance with standard EN 179.

3-19k/032 pair of door handles for solid door, door thickness 44-61 mm.

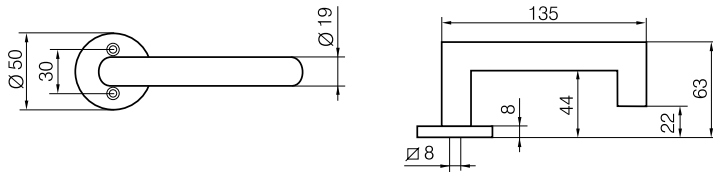
3-19k/0650 pair of door handles for profile door, door thickness 38-54 mm (lock case 20 mm from the surface of the door)/33-55 mm (lock case in middle of door).

3-19k/030 single door handle for solid door, door thickness 50-65 mm.

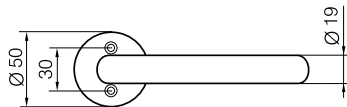
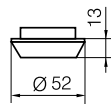
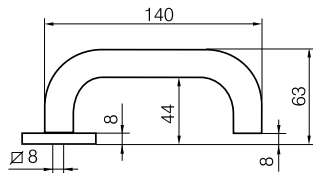
3-19k/0630 single door handle for profile door, door thickness 45-60 mm.



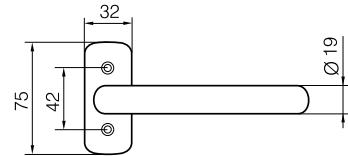
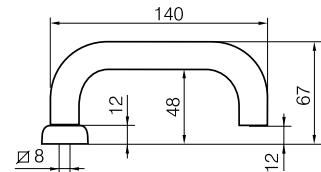
INOXI 3-19/032



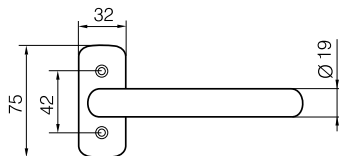
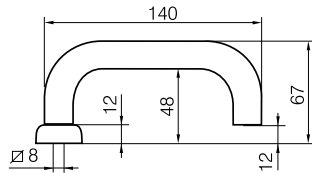
INOXI 3-19/030



INOXI 3-19/0650



INOXI 3-19/0630





**STRATO 13/032,
13/0650, 13/030,
13/0630**

Material: brass.

Surface finishes: chrome,
satin chrome, satin brass,
polished+lacquered.

Door handle pairs include two return
springs and split spindle 57/50. Single
door handles include a return spring
and a spindle. Tested in accordance
with standard EN 179.

The handedness of the door should
be noted when ordering.

13/032 pair of door handles for solid
door, door thickness 44-61 mm.

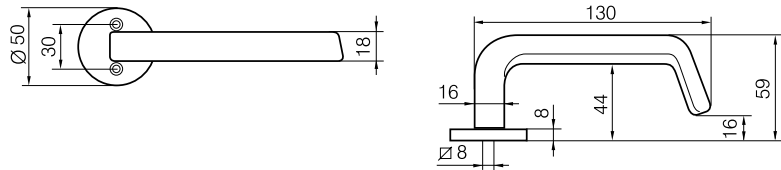
13/0650 pair of door handles for
profile door, door thickness 38-54 mm
(lock case 20 mm from the surface
of the door)/33-55 mm (lock case in
middle of door).

13/030 single door handle for solid
door, door thickness 50-65 mm.

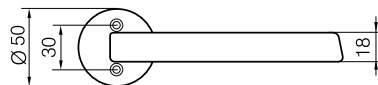
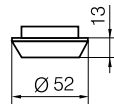
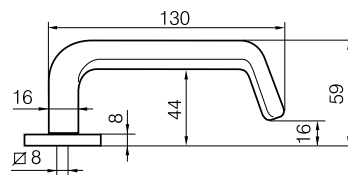
13/0630 single door handle for profile
door, door thickness 45-60 mm.



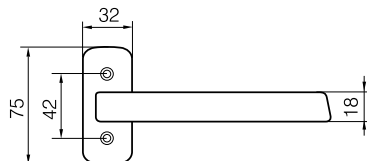
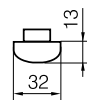
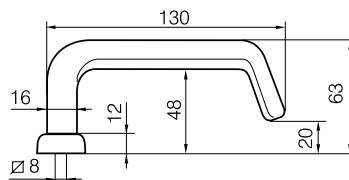
STRATO 13/032



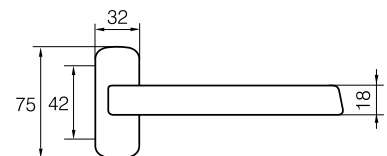
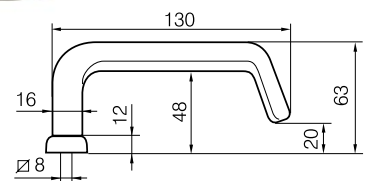
STRATO 13/030



STRATO 13/0630



STRATO 13/0650



**PRESTO 3-20/032,
3-20/0650, 3-20/030, 3-20/0630**

Material: aluminium.
Surface finishes: silver-anodized, chrome.

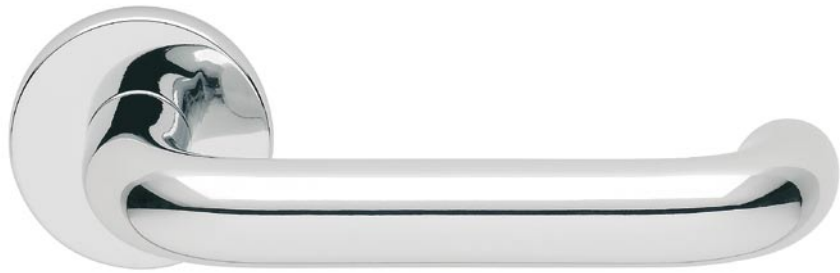
Door handle pairs include two return springs and split spindle 57/50. Single door handles include a return spring and a spindle. Tested in accordance with standard EN 179. The handedness of the door should be noted when ordering.

3-20/032 pair of door handles for solid door, door thickness 44-61 mm.

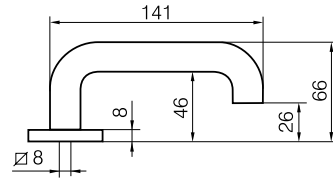
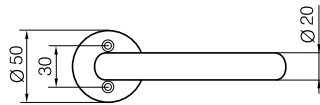
3-20/0650 pair of door handles for profile door, door thickness 38-54 mm (lock case 20 mm from the surface of the door)/33-55 mm (lock case in middle of door).

3-20/030 single door handle for solid door, door thickness 50-65 mm.

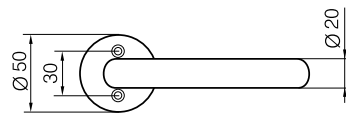
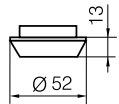
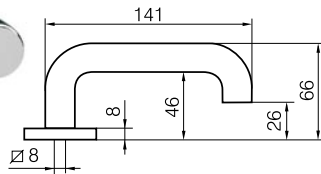
3-20/0630 single door handle for profile door, door thickness 45-60 mm.



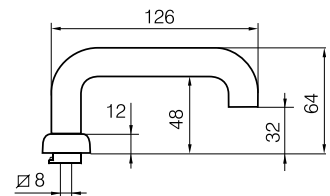
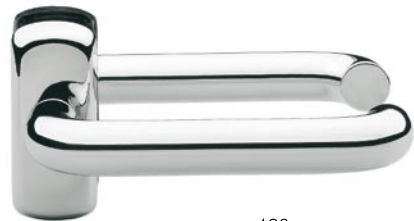
PRESTO 3-20/032



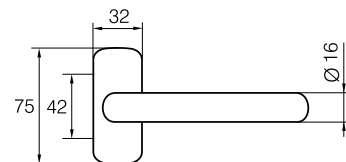
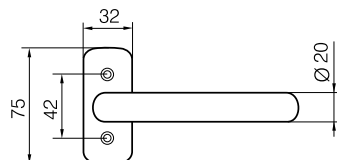
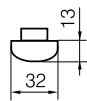
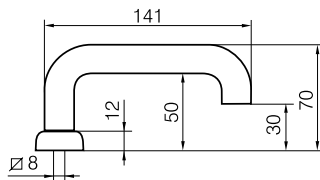
PRESTO 3-20/030



PRESTO 3-20/0650



PRESTO 3-20/0630



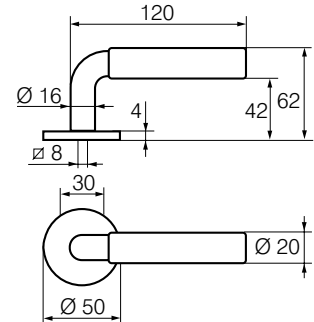
PARLAMENT 2/007

Material: brass.

Surface finishes: chrome, satin chrome, polished.

For use with interior doors, including public premises. Standard delivery of a pair of handles is for a 40 mm door. Delivery includes a return spring which guarantees that the handle remains in the correct position.

Single door handle 2/032 for the outside of an exit door.



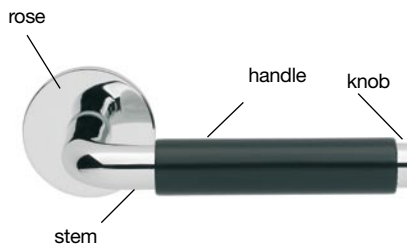
PARLAMENT 22/007

Material: brass.

Surface finishes: polished, chrome, satin chrome, white, red, blue, black.

For use with interior doors, including public premises. Standard delivery of a pair of handles is for a 40 mm door. Delivery includes a return spring which guarantees that the handle remains in the correct position. Different parts of the handle can be obtained with different finishes according to the table below.

Single door handle 22/032 for the outside of an exit door.



	Rose	Stem	Handle	Knob
Polished brass	•	•	•	•
Chrome	•	•	•	•
Satin chrome	•	•	•	•
Powder-painted	•		•	

PRESTO 3-16/007

Material: aluminium.

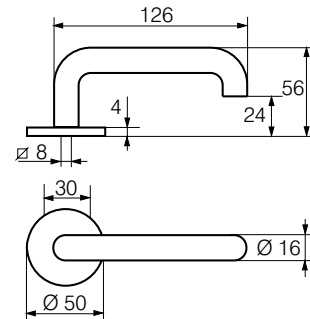
Surface finishes: silver-anodized, white.

Material: brass.

Surface finishes: polished, chrome, satin chrome.

For use with interior doors. Brass handles with a return spring can also be used in public premises. Standard delivery of a pair of handles is for 40 mm doors. Delivery includes a return spring which guarantees that the handle remains in the correct position.

Single door handle 3-16/032 for the outside of an exit door.



PRESTO 3-16s/007

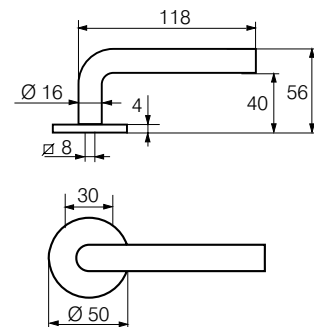
Material: brass.

Surface finishes: polished, chrome, satin chrome.

For use with interior doors including public premises. Standard delivery of a pair of handles is for 40 mm doors.

Includes a return spring.

Single door handle 3-16s/032 for the outside of an exit door.



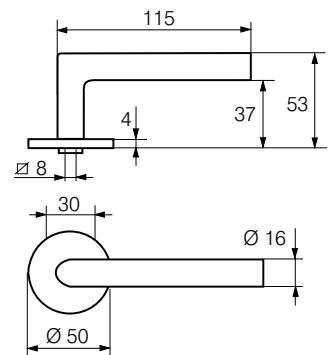
PRESTO 3-16ss/007

Material: brass.

Surface finishes: polished, chrome, satin chrome.

For use with interior doors, also public premises. Standard delivery is for 40 mm thick door. Includes a return spring.

Single door handle 3-16ss/032 for the outside of an exit door.



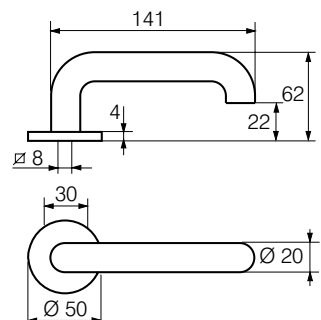
PRESTO 3-20/007

Material: aluminium.

Surface finishes: silver-anodized, white, chrome.

For use with interior and front doors, including public premises. Standard delivery of a pair of handles is for 40 mm thick doors, and the handle is fitted to a special spindle with a retaining screw. Delivery includes a return spring which guarantees that the handle remains in the correct position.

Single door handle 3-20/032 for the outside of an exit door.

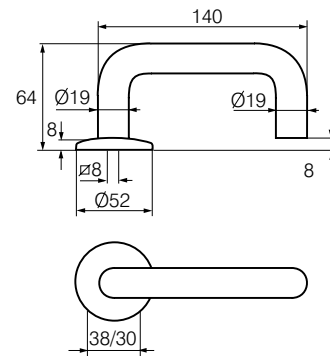


INOXI 3-19/002

Material: stainless steel.

For use with interior and exterior doors, also in public premises. Standard delivery is for 40-70 mm thick door. Handle is fixed to a special spindle with a retaining screw. Includes a return spring.

Single door handle 3-19/032 for the outside of an exit door.

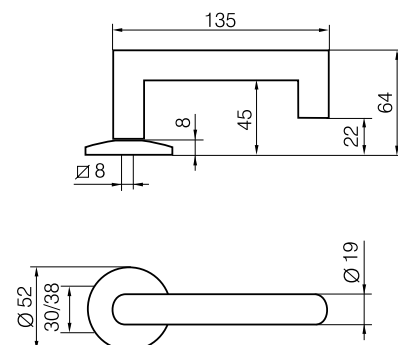


INOXI 3-19k/002

Material: stainless steel.

For use with exterior and interior doors. Standard delivery is for 40-60 mm thick doors. The handle is fixed to the spindle with a retaining screw. Includes a return spring.

Single door handle 3-19k/032 for the outside of an exit door.

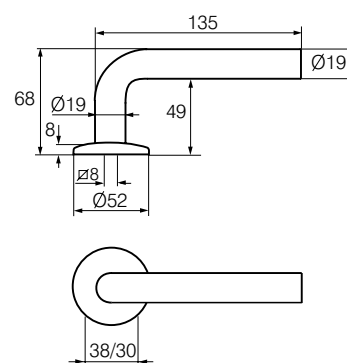


INOXI 3-19s/002

Material: stainless steel.

For use with interior and exterior doors, also in public premises. Standard delivery is for 40-60 mm thick door. Handle is fixed to a special spindle with a retaining screw. Includes a return spring.

Single door handle 3-19s/032 for the outside of an exit door.

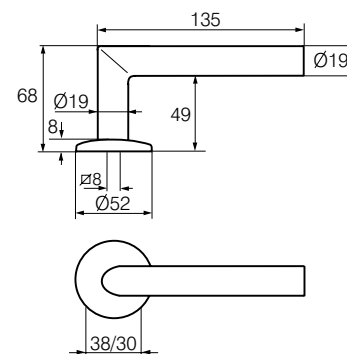


INOXI 3-19ss/002

Material: stainless steel.

For use with interior and exterior doors, also in public premises. Standard delivery is for 40-60 mm thick door. Handle is fixed to a special spindle with a retaining screw. Includes a return spring.

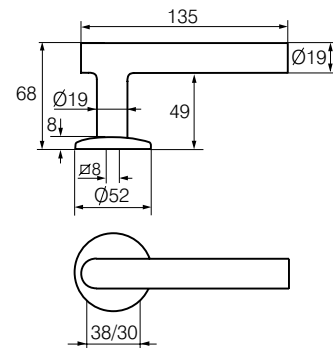
Single door handle 3-19ss/032 for the outside of an exit door.



INOXI 3-19st/002

Material: stainless steel.

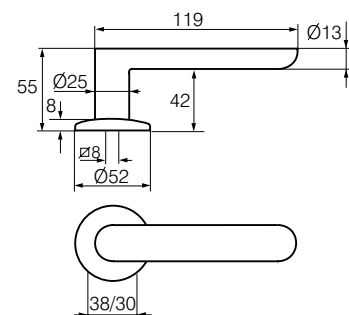
For use with interior and exterior doors, also in public premises. Standard delivery is for 40-60 mm thick door. Handle is fixed to a special spindle with a retaining screw. Includes a return spring.



INOXI 21/002

Material: stainless steel.

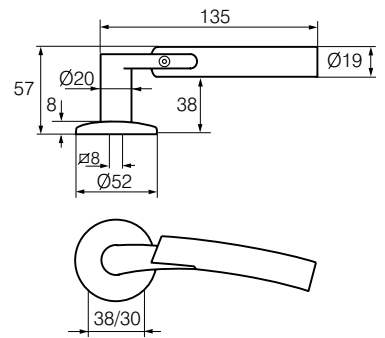
For use with interior and exterior doors, also in public premises. Standard delivery is for 40-60 mm thick door. Handle is fixed to a special spindle with a retaining screw. Includes a return spring.



INOXI 23/002

Material: stainless steel.

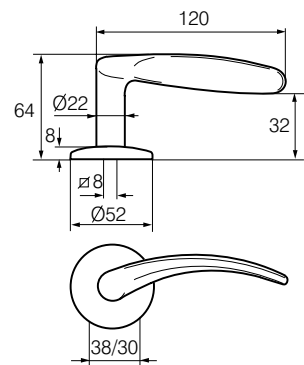
For use with interior and exterior doors, also in public premises. Standard delivery is for 40-60 mm thick door. Handle is fixed to a special spindle with a retaining screw. Includes a return spring.



INOXI 24/002

Material: stainless steel.

For use with interior and exterior doors, also in public premises. Standard delivery is for 40-60 mm thick door. Handle is fixed to a special spindle with a retaining screw. Includes a return spring.



FORUM 4/007

Material: brass.

Surface finishes: polished, satin brass, chrome, satin chrome, white, antique bronze.

For use with interior and front doors, including public premises. Standard delivery is for a 40-60 mm thick door. Includes a return spring.

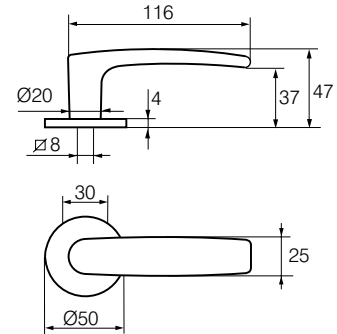
FORUM 4/008

Material: zinc.

Surface finish: chrome.

For use with interior doors, including public premises. Standard delivery of a pair of handles is for a 40 mm thick door. Zinc handle 4/008 is not suitable for outdoor use.

Single door handle 4/032 for the outside of an exit door.



FORUM 4/029

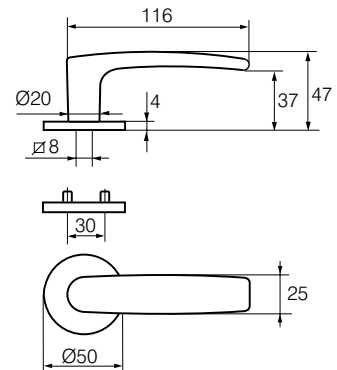
Material: brass.

Surface finishes: polished, chrome, satin chrome.

Material: zinc.

Surface finish: chrome.

For use with front doors of terraced and detached houses, as well as apartment doors that are not to be opened with a handle from the outside. Standard delivery for a 50-60 mm thick door.

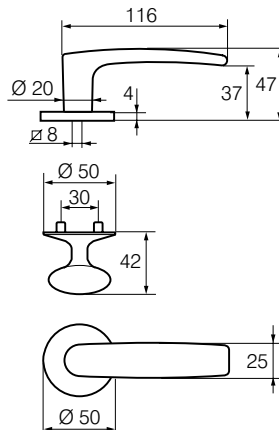


FORUM 4/119

Material: brass.

Surface finishes: polished, chrome, satin chrome.

For use with front doors of terraced or detached houses when the door is not to be opened with a handle from the outside. Standard delivery for a 50-60 mm thick door.

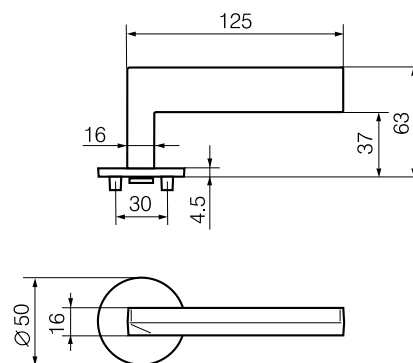
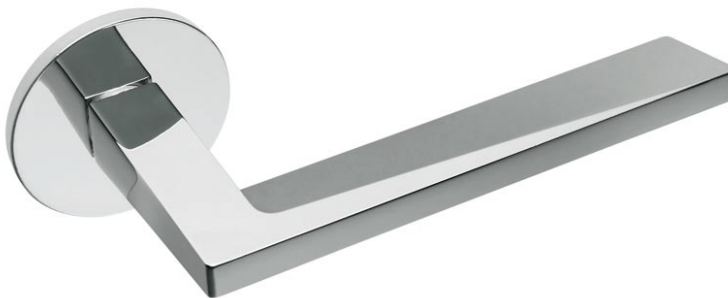


ONCUT 5/008

Material: zinc.

Surface finishes: chrome, satin chrome, white.

For use with interior doors, also in public buildings. Standard delivery of a pair of door handles is for 40–60 mm thick doors. Includes a return spring. Zinc handles are not suitable for outdoor use. The handedness of the door should be noted when ordering.



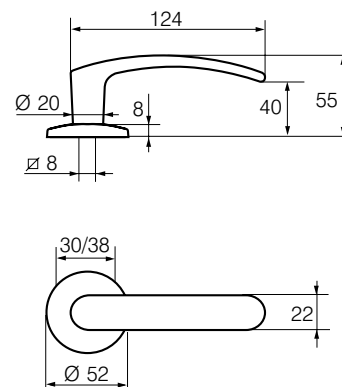
POLAR 6/002

Material: brass.

Surface finishes: polished, chromed, satin chrome, satin brass, antique bronze.

Includes a return spring. Used in both interior and exterior doors, including public buildings. Standard delivery of individually packaged handles include handles that fit 40–60 mm thick doors. The handles are attached to the spindle with a retaining screw.

Single door handle 6/032 for the outside of an exit door.

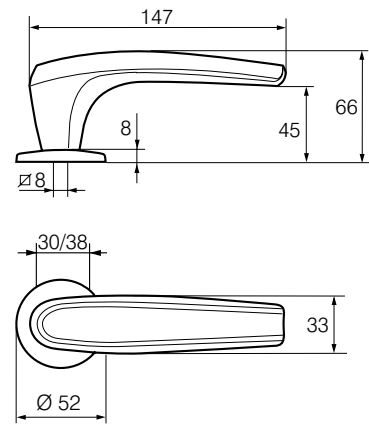


DUETTO 8/002

Material: brass.

Surface finishes: chrome, satin chrome, polished, satin brass, white, antique bronze.

For use with exterior doors, includes a strong return spring. Standard delivery is for 55-80 mm thick door. Handle has a colour panel that can be changed to fit the colour of the door. The colours of the panel: brown, red, green, blue, dark grey, light grey. Handle is fixed to a special spindle with a retaining screw.

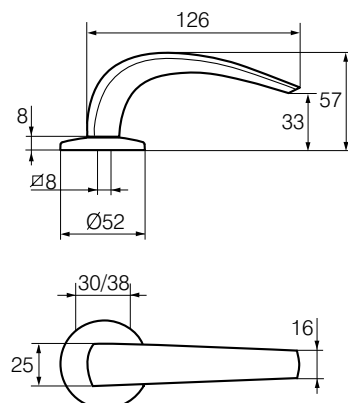


CLASSICO 9/002

Material: brass.

Surface finishes: chrome, satin chrome, polished.

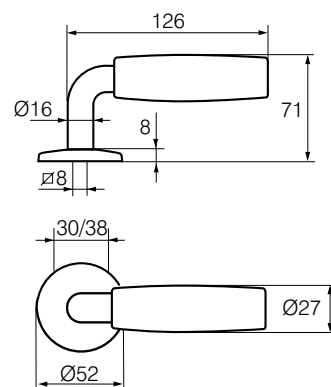
For use in interior and exterior doors also public premises. Includes a strong return spring. Standard delivery is for 40-60 mm thick door. Handle is fixed to a special spindle with a retaining screw.



VILLA 11/002

Material: brass/larch.
Surface finishes for brass:
chrome, polished.

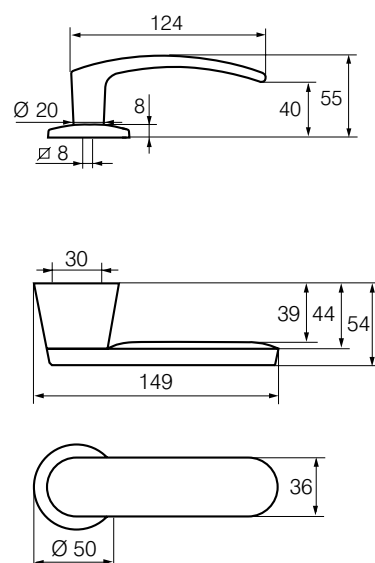
For use with interior and exterior doors. Standard delivery of a pair of handles is for a 65-75 mm thick door. Includes a return spring.



DOMUS 12

Material: brass.
Surface finishes: polished, chrome, white, satin brass, antique bronze.

For use with front doors. A strong return spring prevents the handle from sagging. Standard delivery of a pair of handles is for a 55-80 mm thick door. Handle 6/002 is used as inside handle.



STRATO 13/007

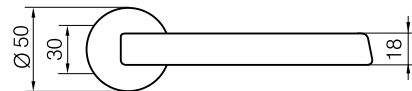
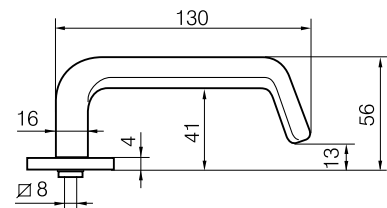
Material: brass.

Surface finishes: chrome, satin chrome, satin brass, polished+lacquered.

For use in interior and exterior doors, also public premises. Standard delivery of a pair of door handles is for 40–60 mm thick doors.

The handedness of the door should be noted when ordering.

Includes a return spring.



PRIME 15/001

Material: brass.

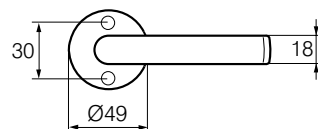
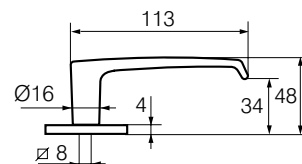
Surface finishes: polished, chrome, satin brass, satin chrome.

For use with interior doors, including public premises.

Material: zinc.

Surface finishes: chrome, white, golden-lacquered.

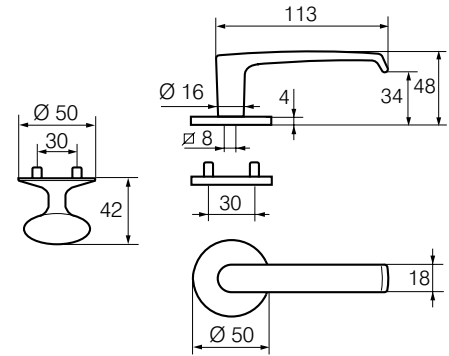
For use with interior doors on residential premises. Standard delivery of a pair of handles is for a 40 mm thick door. Zinc handles are not suitable for outdoor use.



PRIME 15/029, 15/119

Material: zinc.
Surface finish: chrome.
Material: brass.
Surface finish: polished.

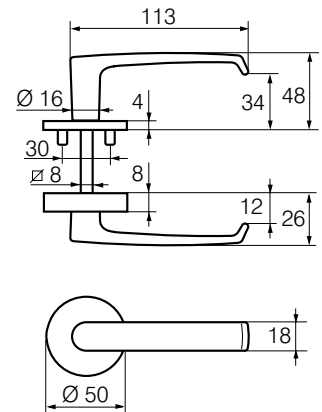
For use with apartment doors that are not to be opened with a handle from the outside. Standard delivery for a 50-60 mm thick door.



PRIME 15/26/007

Material: brass.
Surface finishes: polished, chrome.

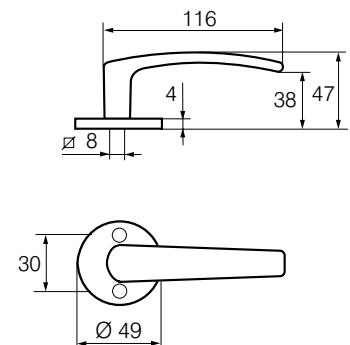
For use with balcony, garden and yard doors with locks. Height of handle is 26 mm on one side, and the standard 48 mm on the other side. Standard delivery for a 40 mm thick door.



POLARITA 16/001

Material: zinc.
Surface finishes: chrome, satin chrome, white, golden-lacquered.

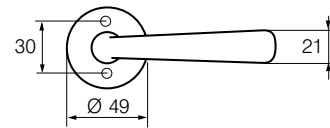
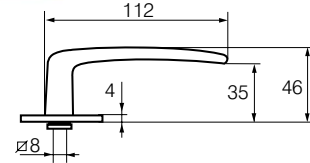
For use with interior doors in residential premises. Standard delivery of a pair of handles for a 40 mm thick door. Zinc handles are not suitable for outdoor use.



DOORA 17/001

Material: brass.
Surface finishes: polished, chrome, satin chrome, satin brass.

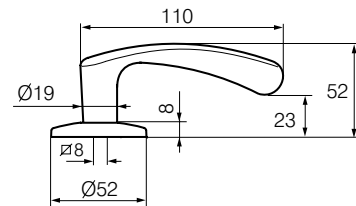
For use with interior doors, also public premises. Standard delivery is for 40 mm thick door.



18/002 R+LK

Material: zinc.
Surface finish: chrome.

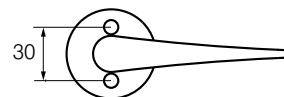
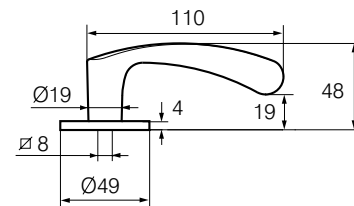
A double-fixing version with wood screws and through fastening screws + 8/9 spindle converter. Handle is fixed to the special spindle with a retaining screw. Door thickness 38-60 mm.



INTERIA 19/001

Material: zinc.
Surface finishes: white, chrome, satin chrome, golden-lacquered.

For use with interior doors in residential premises. Standard door thickness 40 mm. Zinc handles are not suitable for outdoor use.

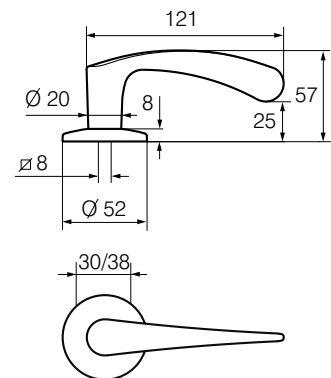
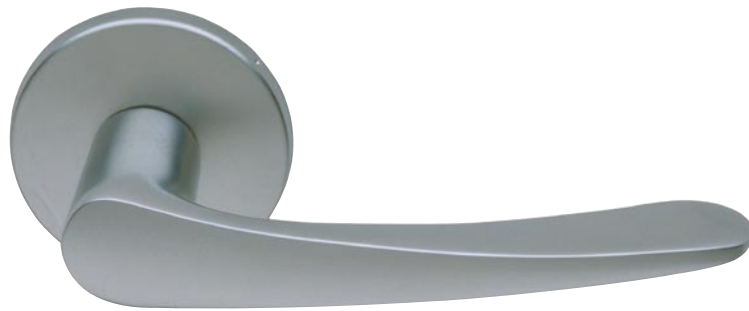


INTERIA 19/002

Material: brass.

Surface finishes: polished, chrome, satin chrome.

For use in both interior doors and entrance doors, also public buildings. The handle is fixed to the spindle with retaining screws. Includes a return spring. Also available as a double-fixing version with wood screws and through-fastening screws included, spindle converter 8/9 and the handle is fitted to a special spindle with a retaining screw.

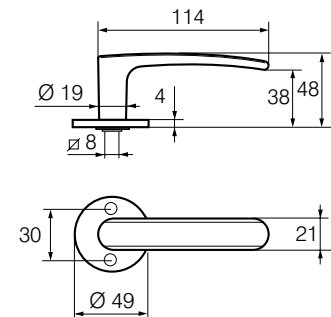


LINE 20/001

Material: zinc.

Surface finishes: chrome, white.

For use with interior doors in residential premises. Standard delivery of a pair of handles is for a 40 mm thick door. Also available as a double-fixing version with wood screws and through-fastening screws included, spindle converter 8/9 and the handle is fitted to a special spindle with a retaining screw. Zinc handles are not suitable for outdoor use.

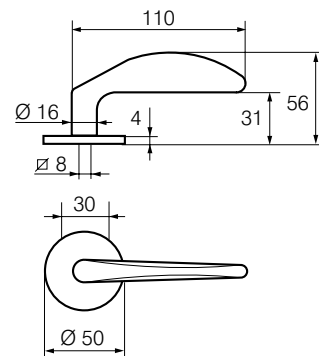


JOUSI 25/007

Material: brass.

Surface finishes: polished, satin brass, chrome, satin chrome.

For use with interior doors, including public premises. Standard delivery of a pair of handles is for a 40 mm thick door.

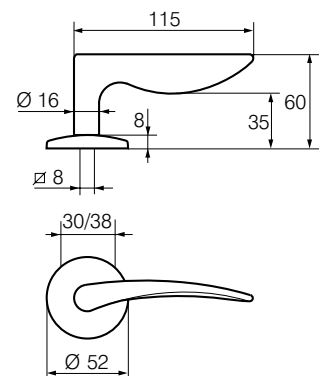


POHJOLA 27/002

Material: brass.

Surface finishes: polished, chromed, satin chromed.

Used in both interior and exterior doors, including those of public buildings. Standard delivery is for 40-60 mm thick doors. The handles are attached to the spindle with a retaining screw. Includes a return spring.

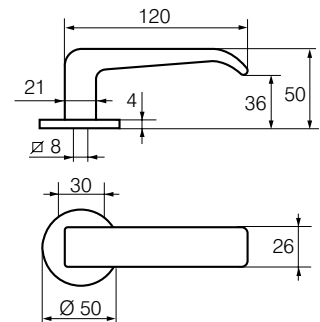


CONSUL 110/007

Material: brass.

Surface finishes: chrome, satin chrome, satin brass, polished.

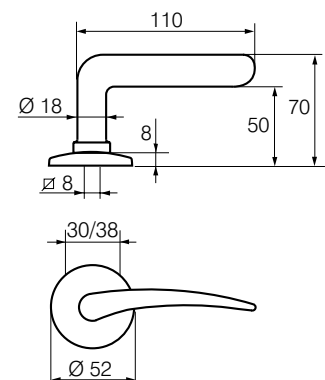
For use with interior and front doors, including public premises. Standard delivery of a pair of handles is for a 40-60 mm thick door. The handle is fitted to a special spindle with a retaining screw. Roses are not fixed. Includes a return spring.


AKATEMIA 133/002

Material: brass.

Surface finishes: polished, chromed, satin chrome.

Used in both interior and exterior doors, including those of public buildings. Standard delivery is for 40-60 mm thick doors. The handles are attached to the spindle with a retaining screw. Includes a return spring.

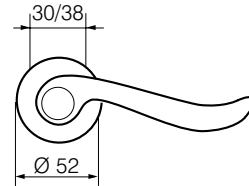
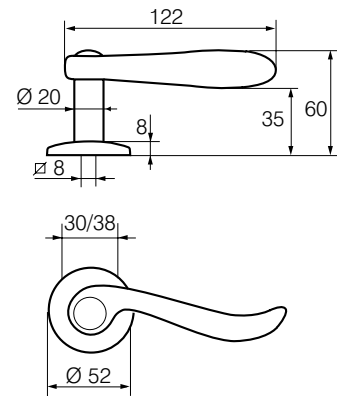


6638/002

Material: brass.

Surface finishes: chrome, satin brass.

For use with exterior doors, includes a strong return spring. Standard delivery is for 60-80 mm thick door.

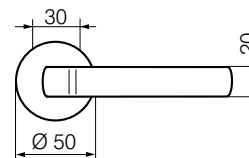
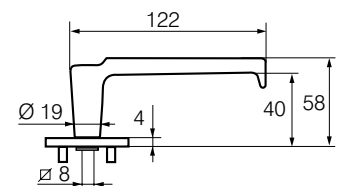


6647/007

Material: brass.

Surface finishes: chrome, satin brass, white.

For use with exterior doors, includes a strong return spring. Standard delivery is for 55-75 mm thick door.

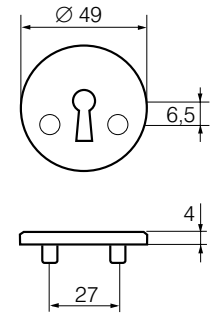


Escutcheon LH001 A

Material: steel.

Surface finishes: chrome, white, satin chrome, golden-lacquered.

For use with interior door lock ABLOY® 2014.

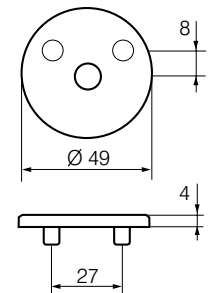


Escutcheon LH001 O

Material: steel.

Surface finishes: chrome, white, satin chrome, golden-lacquered.

For use with interior door lock ABLOY® 414.

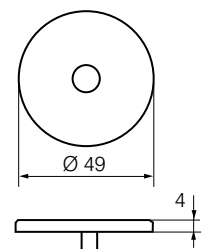


Cover plate LH001 P

Material: steel.

Surface finishes: chrome, white, satin chrome, golden-lacquered.

For use with interior door lock ABLOY® 414 or 2014.

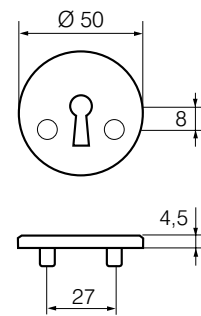


Escutcheon LH008 A

Material: zinc.

Surface finishes: chrome, satin chrome, white.

For use with interior door lock ABLOY® 2014.

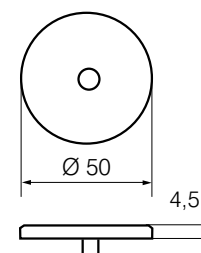


Escutcheon LH008 P

Material: zinc.

Surface finishes: chrome, satin chrome, white.

For use with interior door lock ABLOY® 2014.



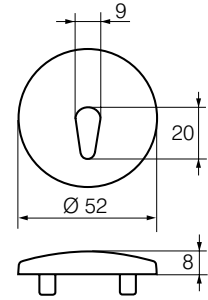
Escutcheon LH002 A

Material: brass.

Surface finishes: polished, chromed, satin chrome, satin brass.

Material: stainless steel.

Used with interior door lock ABLOY® 2014 or equivalent.



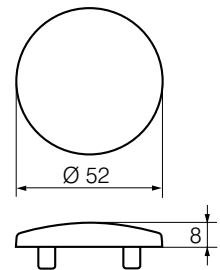
Cover-plate LH002 P

Material: brass.

Surface finishes: polished, chromed, satin chrome, satin brass.

Material: stainless steel.

Used with interior door lock ABLOY® 4195 or equivalent.



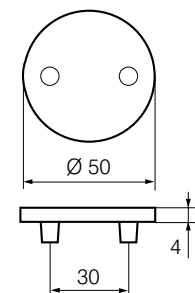
Cover plate LH007 P

Material: brass.

Surface finishes: polished, chrome, satin brass, , white, satin chrome.

For use with ABLOY® lock 4195 or similar locks.

The plate is made of cast brass.



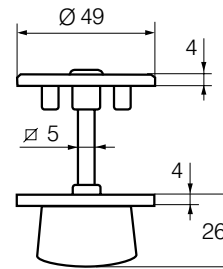
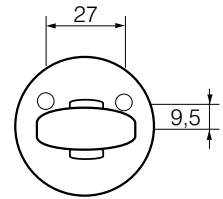
Turning knob LH001 WC

Material: steel.

Surface finishes: chrome, white, satin chrome, golden-lacquered.

Used for the locking of bathroom and toilet doors with ABLOY® 2014 or 414 locks.

Unlocking from the outside possible. Standard delivery for 40 mm thick door.



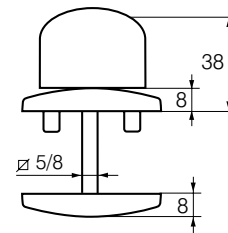
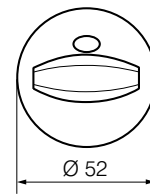
Turning knob LH002 WC

Material: brass.

Surface finishes: polished, chromed, satin chrome, satin brass.

Material: stainless steel.

This knob fits locks with a 90-degree turning range. As a standard, they are delivered to fit 38-60 mm doors. It has been ensured that it is possible to open locks equipped with this knob from the outside. They are used in bathroom and toilet doors, including those of public buildings.

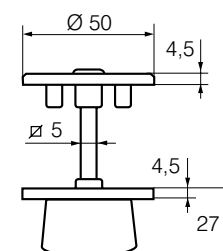
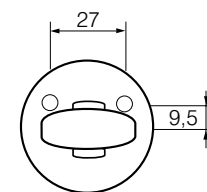


Turning knob LH008 WC

Material: zinc.

Surface finishes: chrome, satin chrome, white.

This knob fits locks with a 90-degree turning range. Standard delivery is for a 38-60 mm door. Unlocking from outside is possible. For use in bathroom and toilet doors, including those of public buildings.



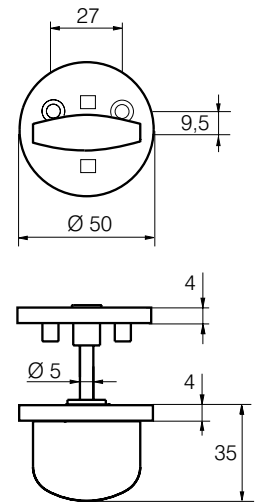
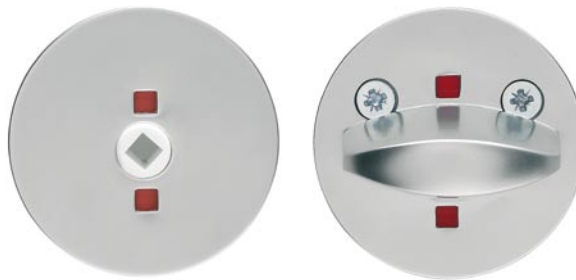
Turning knob LH007 WC, LH007 WCL

Material: brass.

Surface finishes: chrome, satin chrome, satin brass, polished.

Surface finishes for the L-spindle version are polished, satin brass and chrome, satin chrome.

Suitable for locks with a 90° turn. Standard delivery for 40 mm thick doors, with L-spindle for 40-80 mm doors. Unlocking from the outside possible. Used for the locking of bathroom and toilet doors, including public premises.

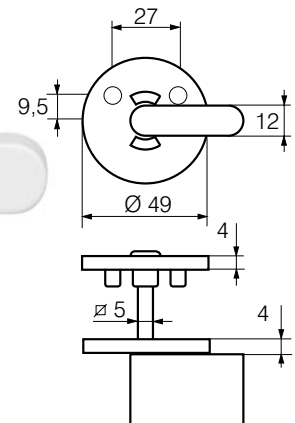


Turning knob PRESTO LH0340, LH0340 L

Material: aluminium.

Surface finishes: silver-anodized, white.

Suitable for locks with a 90° turn. Standard delivery for 40 mm thick doors, with L-spindle for 40-80 mm doors. Unlocking from the outside possible. Used for the locking of bathroom and toilet doors for example in nursing homes.



Turning knob LH0341

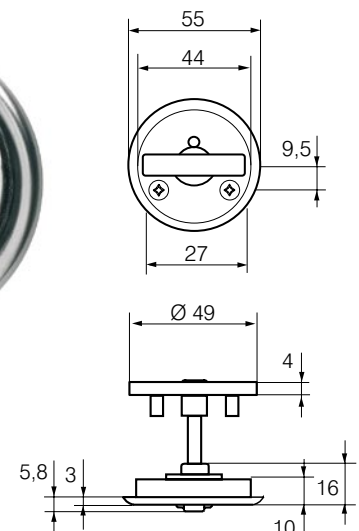
Material: brass.

Surface finish: polished.

Material: steel.

Surface finish: chrome.

For use with light sliding, folding and storage room doors with ABLOY® 4249 hook bolt lockcase. Standard delivery for 40 mm doors, a ø 47 mm drilling is needed on the knob side.

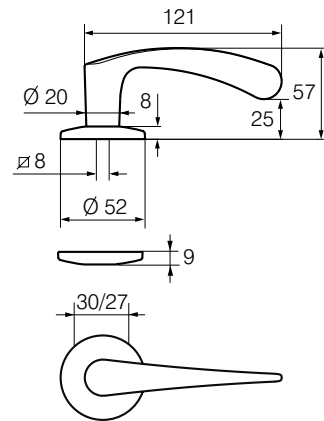


**WC door handle INTERIA
19/002**

Material: zinc.

Surface finishes: chrome, satin chrome, white.

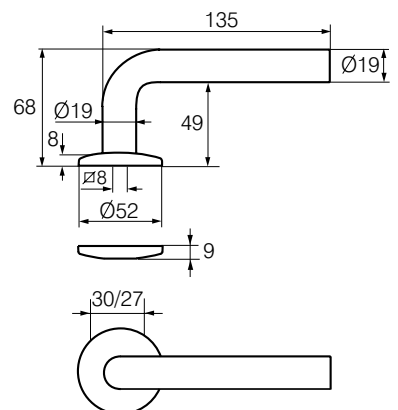
For use in WC doors with
ABLOY® 2025 lock case.



**WC door handle INOXI
3-19s/002**

Material: stainless steel.

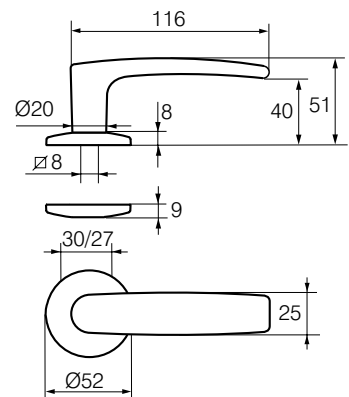
For use in WC doors with
ABLOY® 2025 lock case.



WC door handle FORUM 4/002

Material: brass.
Surface finishes: chrome, satin chrome, satin brass, polished+lacquered.

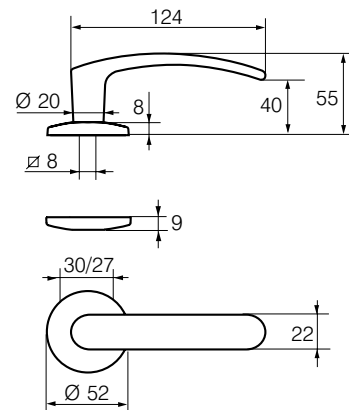
For use in WC doors with ABLOY® 2025 lock case.



WC door handle POLAR 6/002

Material: brass.
Surface finishes: chrome, satin chrome, satin brass, polished+ lacquered.

For use in WC doors with ABLOY® 2025 lock case.

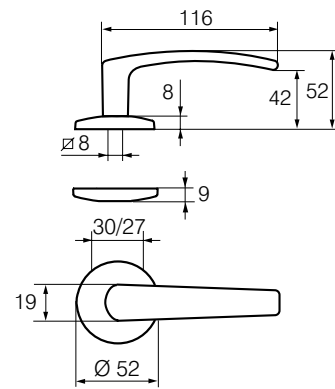


**WC door handle POLARITA
16/002**

Material: zinc.

Surface finishes: chrome, satin
chrome, white.

For use in WC doors with
ABLOY® 2025 lock case.



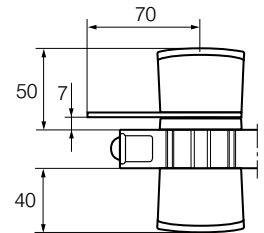
Door bolt DF1000

Material: knob zinc, other parts steel.

Surface finish: chrome.

For use with toilet cubicle doors.

Standard delivery is for 24-28 mm or 35-40 mm doors.



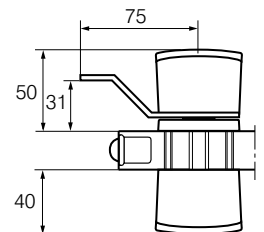
Door bolt DF1001

Material: knob zinc, other parts steel.

Surface finish: chrome.

For use with toilet cubicle doors.

Standard delivery for 24-28 mm or 35-40 mm doors.

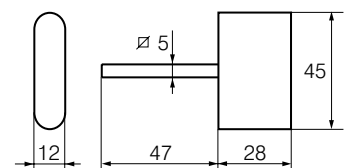
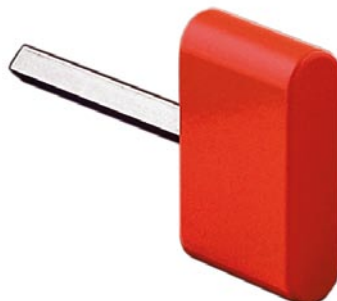


WC safety key LH0310

Material: aluminium.

Surface finish: red.

For use as a safety key in turning knobs; lavatory doors can be opened from the outside using the key.

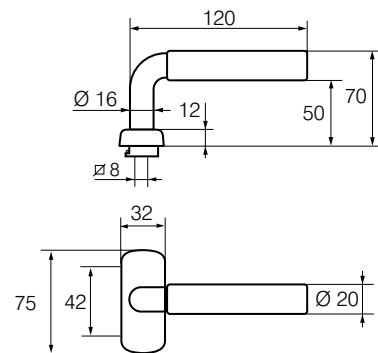


PARLAMENT 2/0650

Material: brass.
Surface finishes: polished, chrome, satin chrome.

For use with aluminium and steel profile doors with a profile door lock or as an espagnolette handle. Standard delivery for 50-70 mm thick doors. Includes a return spring.

Single door handle 2/0650 for the outside of an exit door.

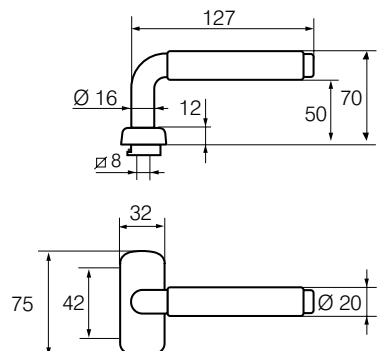


PARLAMENT 22/0650

Material: brass.
Surface finishes: polished, chrome, satin chrome, white, black, blue, red.

For use with aluminium and steel profile doors with a profile door lock or as an espagnolette handle. Standard delivery for 50-70 mm thick doors. Includes a return spring.

Single door handle 22/0650 for the outside of an exit door.

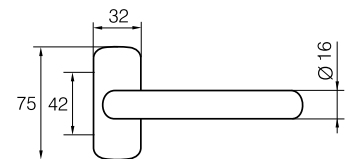
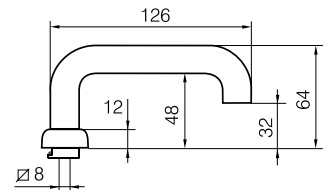


PRESTO 3-16/0650

Material: brass.
Surface finishes: polished, chrome, satin chrome.
Material: aluminium.
Surface finishes: chrome, silver-anodized, white.

For use with aluminium and steel profile doors with a profile door lock or as an espagnolette handle. Standard delivery for 50-70 mm thick doors.

Single door handle 3-16/0650 for the outside of an exit door.

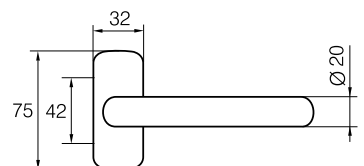
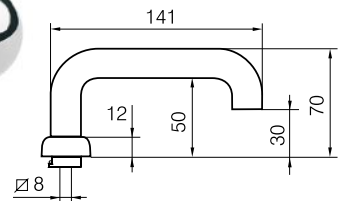
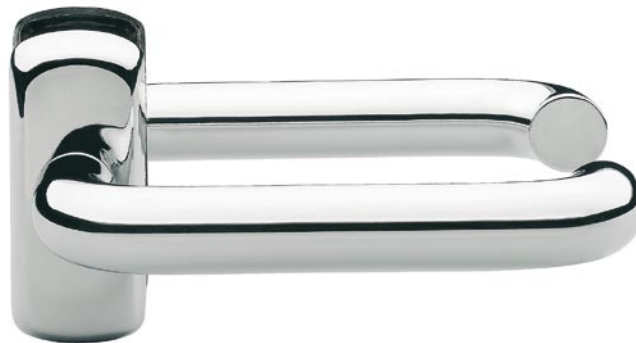


PRESTO 3-20/0650

Material: brass.
Surface finishes: polished, chrome, satin chrome.
Material: aluminium.
Surface finishes: chrome, silver-anodized, white.

For use with aluminium and steel profile doors with a profile door lock or as an espagnolette handle. Standard delivery for 50-70 mm thick doors.

Single door handle 3-20/0650 for the outside of an exit door.

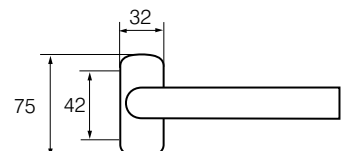
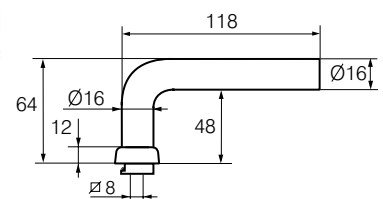


PRESTO 3-16s/0650

Material: brass.
Surface finishes: polished, chrome, satin chrome.
Material: aluminium.
Surface finishes: silver-anodized, white.

For use with aluminium and steel profile doors with a profile door lock or as an espagnolette handle. Standard delivery for 50-70 mm thick doors.

Single door handle 3-16s/0650 for the outside of an exit door.



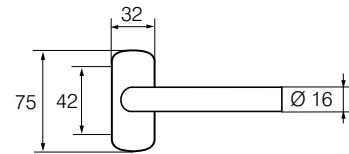
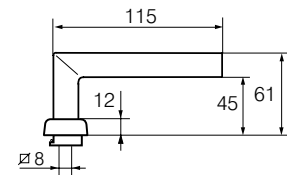
PRESTO 3-16ss/0650

Material: brass.

Surface finishes: polished, chrome, satin chrome.

For use with aluminium and steel profile doors with ABLOY® profile door locks. Standard delivery is for 50-70 mm thick door. Handle is fixed to a special spindle with a retaining screw.

Single door handle 3-16ss/0650 for the outside of an exit door.



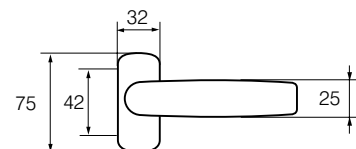
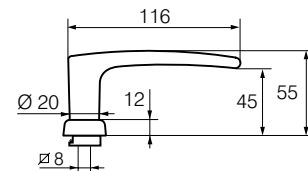
FORUM 4/0650

Material: brass.

Surface finishes: polished, chrome, satin chrome.

For use with aluminium and steel profile doors with a profile door lock or as an espagnolette handle. Standard delivery for 50-70 mm thick doors. Includes a return spring.

Single door handle 4/0650 for the outside of an exit door.



POLAR 6/0650

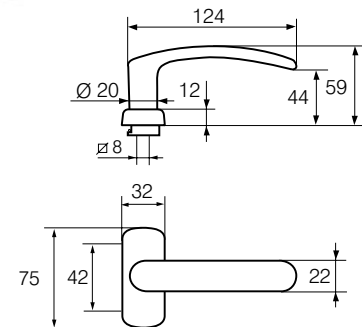
Material: brass.

Surface finishes: polished, chrome, satin chrome.

For use with aluminium and steel profile doors with a profile door lock or as an espagnolette handle. Standard delivery for 50-70 mm thick doors.

Includes a return spring.

Single door handle 6/0650 for the outside of an exit door.



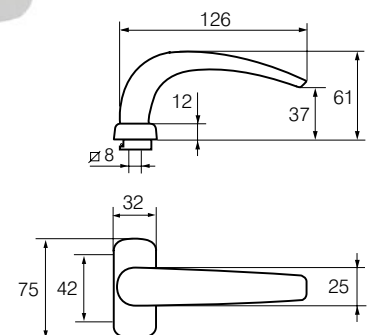
CLASSICO 9/0650

Material: brass.

Surface finishes: polished, chrome, satin chrome.

For use with aluminium and steel profile doors with ABLOY® profile door locks. Standard delivery is for 50-70 mm thick door. Handle is fixed to a special spindle with a retaining screw.

Single door handle 9/0650 for the outside of an exit door.



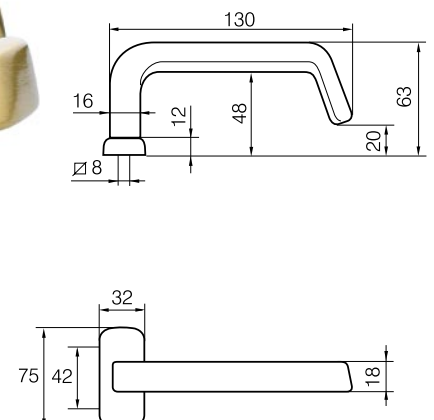
STRATO 13/0650

Material: brass.

Surface finishes: chrome, satin chrome, satin brass, polished.

For use in aluminium and steel profile doors together with a lock for a profile door and a long case door handle. Includes return springs.

Standard delivery is for 50-70 mm doors. The handle is fixed to the spindle with a retaining screw. The handedness of the door should be noted when ordering.

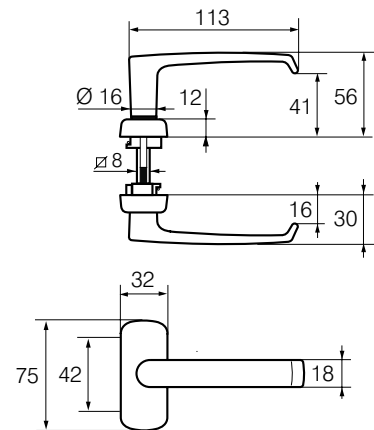


PRIME 15/30/0650

Material: brass.

Surface finishes: polished, chrome.

For use with balcony, garden and yard doors fitted with an espagnolette with an 8 mm spindle, or with a profile door lock. The height of the handle is 30 mm on one side, and the standard 56 mm on the other side. Standard delivery for 40 mm thick doors.

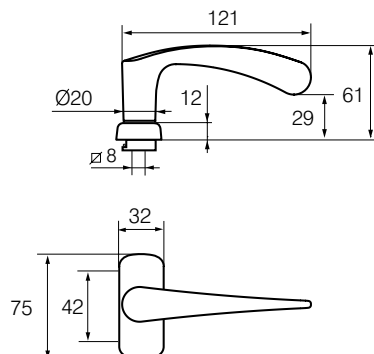


INTERIA 19/0650

Material: brass.

Surface finishes: polished, chrome, satin chrome.

For use with aluminium and steel profile doors with a profile door lock or as an espagnolette handle. Standard delivery for 50-70 mm thick doors. Includes a return spring.

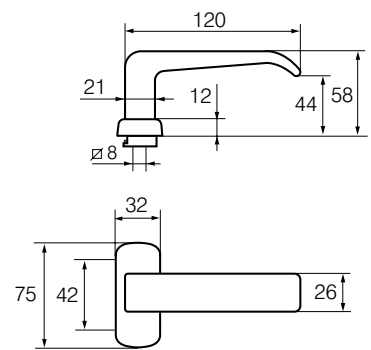


CONSUL 110/0650

Material: brass.

Surface finishes: polished, chrome, satin chrome, satin brass.

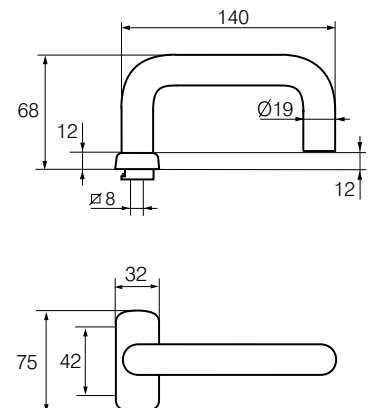
For use with aluminium and steel profile doors with a profile door lock or as an espagnolette handle. Standard delivery for 50-70 mm thick doors. Includes a return spring.



STRATO 3-19/0650

Material: stainless steel.

For use with interior and exterior doors, also in public premises. Standard delivery is for 40-70 mm thick door. Handle is fixed to a special spindle with a retaining screw. Includes a return spring.



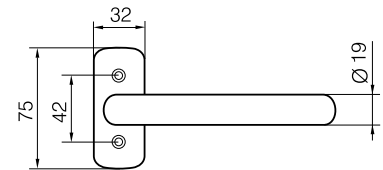
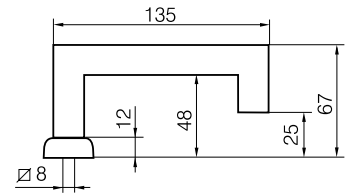
Single door handle 3-19/0650 for the outside of an exit door.

INOXI 3-19k/0650

Material: stainless steel.

For use with aluminium and steel profile doors with ABLOY® profile door locks. Standard delivery is for 40-70 mm thick door. Handle is fixed to a special spindle with a retaining screw. Includes a return spring.

Single door handle 3-19k/0650 for the outside of an exit door.

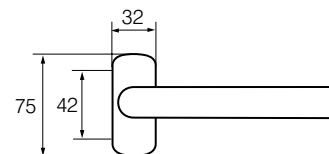
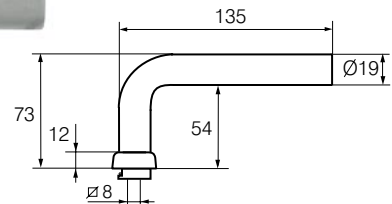


INOXI 3-19s/0650

Material: stainless steel.

For use with aluminium and steel profile doors with ABLOY® profile door locks. Standard delivery is for 40-70 mm thick door. Handle is fixed to a special spindle with a retaining screw. Includes a return spring.

Single door handle 3-19s/0650 for the outside of an exit door.

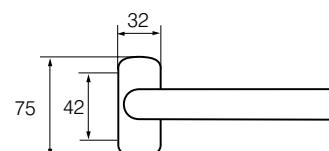
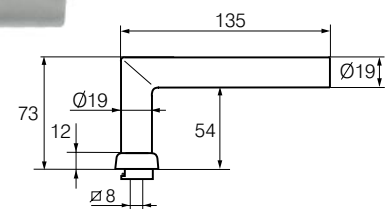


INOXI 3-19ss/0650

Material: stainless steel.

For use with interior and exterior doors, also in public premises. Standard delivery is for 40-70 mm thick door. Handle is fixed to a special spindle with a retaining screw. Includes a return spring.

Single door handle 3-19ss/0650 for the outside of an exit door.

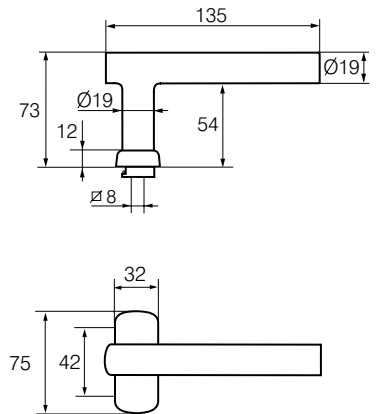


INOXI 3-19st/0650

Material: stainless steel.

For use with interior and exterior doors, also in public premises. Standard delivery is for 40-70 mm thick door. Handle is fixed to a special spindle with a retaining screw. Includes a return spring.

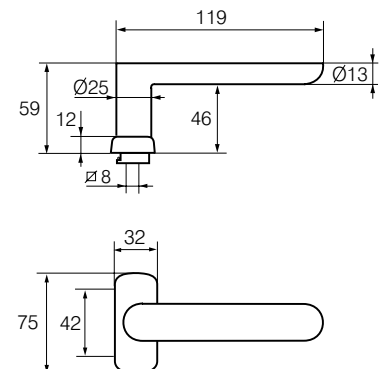
Check suitability for door (knuckle space).



INOXI 21/0650

Material: stainless steel.

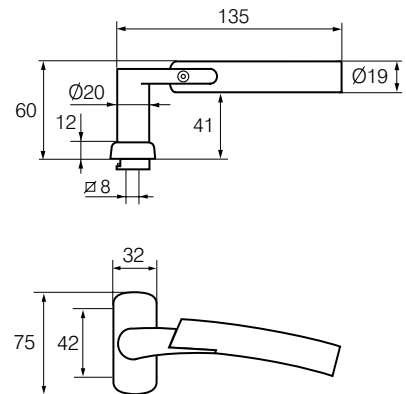
For use with interior and exterior doors, also in public premises. Standard delivery is for 40-70 mm thick door. Handle is fixed to a special spindle with a retaining screw. Includes a return spring.



INOXI 23/0650

Material: stainless steel.

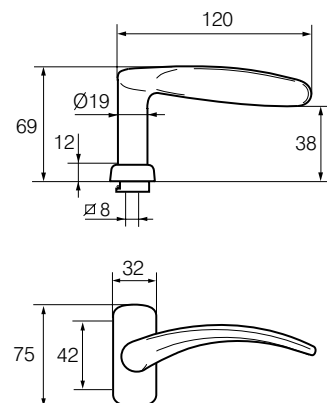
For use with interior and exterior doors, also in public premises. Standard delivery is for 40-70 mm thick door. Handle is fixed to a special spindle with a retaining screw. Includes a return spring.



INOXI 24/0650

Material: stainless steel.

For use with interior and exterior doors, also in public premises. Standard delivery is for 40-70 mm thick door. Handle is fixed to a special spindle with a retaining screw. Includes a return spring.



Espagnolette handle DH37

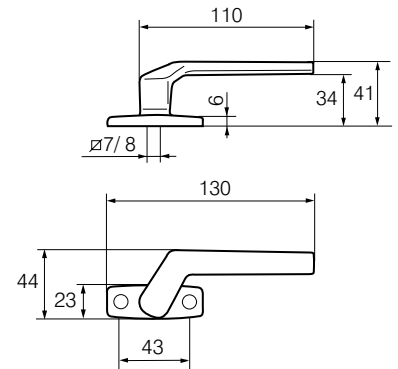
left and right

Material: zinc.

Surface finishes: chromed, satin chromed, white.

For use with balcony, garden and yard doors in combination with espagnolettes with 8 mm spindle hole. The side-bent version guarantees sufficient knuckle room on outward opening doors.

Zinc handles are not suitable for outdoor use.

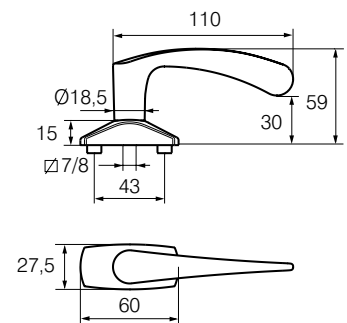


Espagnolette handle INTERIA DH39

Material: zinc.

Surface finishes: white, chrome.

For use with balcony, garden and yard doors in combination with espagnolettes with an 8 mm spindle hole. Zinc handles are not suitable for outdoor use.



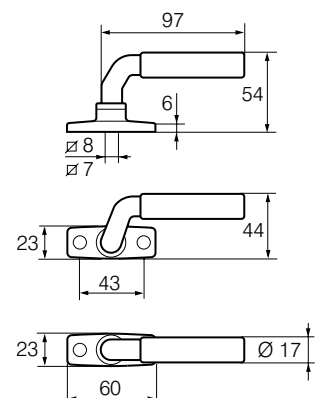
Espagnolette handle DH42

left, straight and right

Material: zinc.

Surface finish: chrome.

For use with balcony, garden and yard doors in combination with espagnolettes with an 8 mm spindle hole. The side-bent version guarantees sufficient knuckle room on outward opening doors. Zinc handles are not suitable for outdoor use.



Espagnolette handle DH83

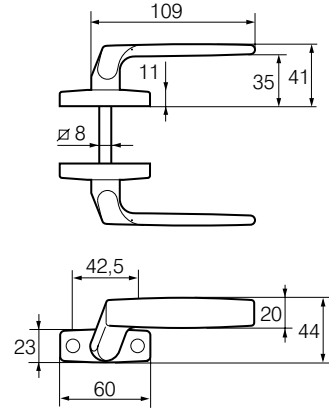
left and right; also through-fastening version LK

Material: brass.

Surface finishes: chrome, satin chrome, satin brass.

For use with balcony, garden and yard doors in combination with espagnolettes with an 8 mm spindle hole. The side-bent version guarantees sufficient knuckle room on outward opening doors.

The through-fastening version is delivered as standard for 40-42 mm thick doors.



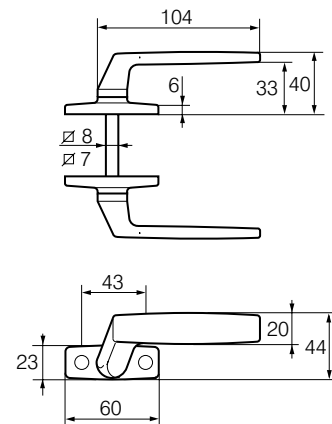
Espagnolette handle DH83

left, straight and right; also through-fastening version LK.

Material: zinc.

Surface finishes: chrome and white.

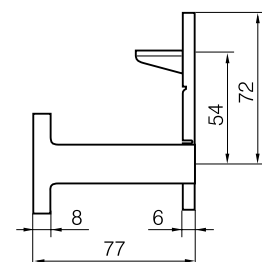
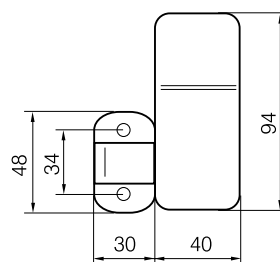
For use with balcony, garden and yard doors in combination with espagnolettes with an 8 mm spindle hole. The side-bent version guarantees sufficient knuckle room on outward opening doors. The through-fastening version is delivered as standard for 40-42 mm thick doors. Zinc handles are not suitable for outdoor use.



Exit seal

Material: plastic.

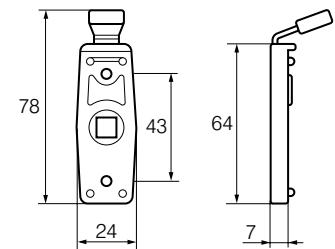
For use with ABLOY® EXIT emergency exit door handles on the inside to prevent unauthorized use of the door handle. In an emergency, pressing down the handle breaks the replaceable seal and the door can be opened.



Child-proof safety lock FIX840

Material: zinc.
Surface finish: chrome.

For use in combination with espagnolette handles on windows and doors in cases when the handle is to be locked from the inside. The handle must have an 8 mm spindle. The child-proof safety lock is locked and unlocked manually. When pushed down, the handle is locked to the spindle. No outside handles may be used with safety lock FIX840. The lock is installed under the rose of the handle with the screws provided for the rose. The safety lock takes approx. 7 mm of spindle length, and is only suitable for handles ABLOY® DH42, DH37 and DH83. It can also be used with window locks if a 7/8 mm spindle is used for the handle.



Child-proof safety lock FIX850

Material: zinc.
Surface finish: chrome.

For use in combination with espagnolette handles on doors and windows, which can then only be opened using both hands. The spindle of the handle must be 8 mm. The handle is automatically locked when turned to a closed position. It can only be opened by simultaneously lifting the safety catch and turning the handle. No outside handles may be used with safety lock FIX850. The lock is installed under the rose of the handle with the screws provided for the rose. The safety lock takes approx. 7 mm of spindle length, and is only suitable for handles ABLOY® DH42, DH37 and DH83. It can also be used with window locks if a 7/8 mm spindle is used for the handle.

